





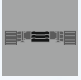


LR 1500

500 Tonne

CRAWLER CRANE



stark kompakt
smart crane
strong compact
LIEBHERR

	500 t
	132 m
	84 m + 84 m
	170 t
	40 t
	280 t x 16 m
	7,6 m

Equipment

Max. capacity	400 t at 12 m radius, SDB-system with S 36 m. 500 t at 7.5 m radius, S2DB-system with S2 34.5 m.
Max. load moment	5.896 tm, 294.8 t at 20 m radius, SDB-system with S 36 m.

Crawler travel gear

Crawler chassis	Liebherr crawler chassis consisting of one centre section and two crawler carriers with crawler plates 1.5 m and quadruple drive (double drive optional).
Central ballast	Total central ballast 40 t. 2 x 5 t walk, 2 x 15 t (optional).

Crane superstructure

Superstructure frame	Liebherr-slewing platform frame, consisting of slewing platform with winch IV and removable A-frame, connected to the centre section by a roller slewing bearing.
Engine	6-cylinder Diesel, make Liebherr, watercooled, output 350 kW (476 h.p.), max. torque 2490 Nm. Exhaust emissions acc. to 97/68/EG, EPA/CARB, ECE-R.96. Fuel reservoir: 1220 l.
Winch I	Standard hoist winch, hydraulically driven by variable axial piston motors with integrated planetary gears.
Winch IV	Boom hoist.
Reeving winch	Auxiliary winch for the reeving of ropes.
Slewing gear	2 slewing gears, hydraulically driven by variable axial piston motors with integrated planetary gears.
Crane cabin	Air conditioned crane cabin tiltable to the rear with safety glazing, heat insulating glass, roof window with bullet proof glass, standardized control units ergonomically positioned. Additional thermostatically controlled hot water heating.
Crane control	Setting of configuration data by convenient interactive functions. All crane movements are initiated by means of two 4-way joystick hand levers and two 2-way hand/foot levers. All working movements are independently controllable.
Safety devices	Hoist limit switch. Safety valves against hose and pipe rupture. Drum switch limit at 3 rest layers. Wind speed gauge. Electronic inclination indicator. Aircraft warning control light.
Camera observation	2 colour-screens, 3 cameras for winches and rear area.
Counterweight	2 brackets 5 t each. Total counterweight at superstructure 170 t. 16 ballast plates 10 t each (option).

Boom system

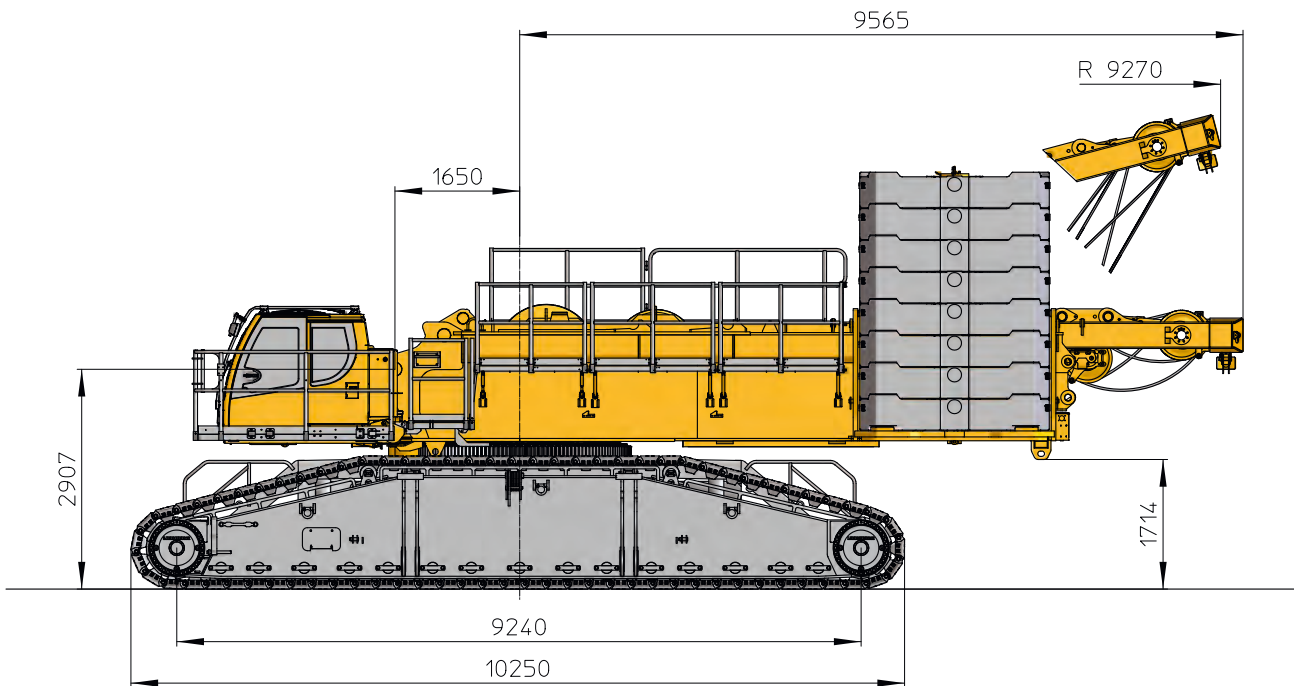
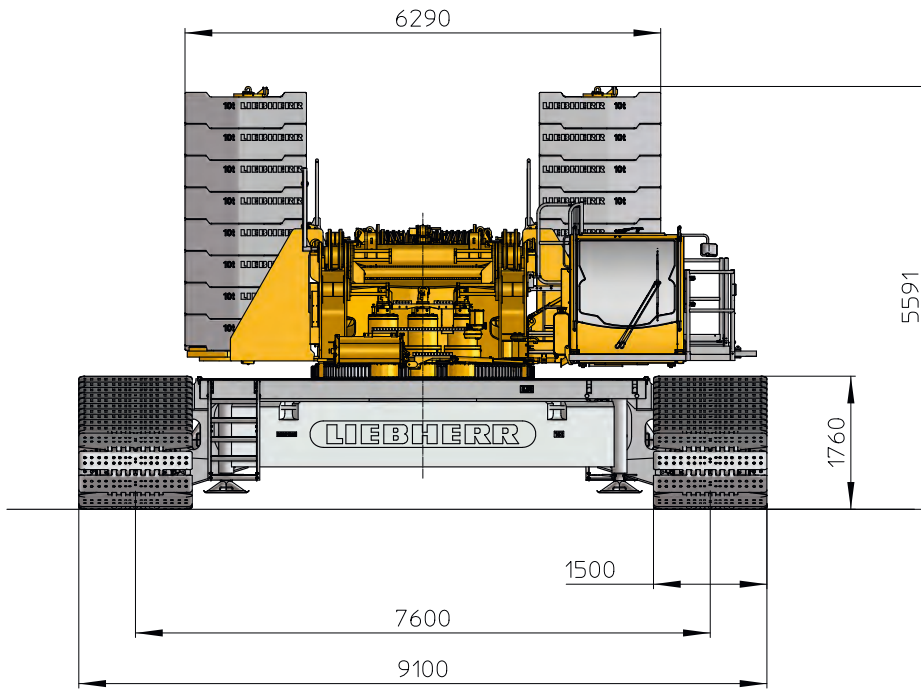
Main boom S	System 2822 with head section for max. load capacity of 400 t. Boom length S 24 m – S 96 m, boom length SDB 36 m – SDB 114 m with derrick system.
Lattice type luffing fly jib W	System 2418 with head section for max. 250 t load capacity. Luffing jib lengths 18 m – 84 m. Winch V is needed for all luffing jib operations.
Fixed lattice fly jib F	System 1812 with head section for max. capacity of 123 t, attachable at 10°, 15° and 30°, jib lengths F 12 m – F 42 m with integral whip line 12 t.
Derrick system D	System 2420 including guy rods. Winch III is needed for all derrick operations. Length 30 m.
Counterweight frame B	For max. derrick counterweight of 280 t, for infinitely variable radius from 9 m – 16 m.
Counterweight trailer BW	For max. derrick counterweight of 280 t at max. radius of 16 m, infinitely variable radii from 12 m – 16 m.
Derrick-Counterweight	Plates for a total of 280 t.
Heavy duty jib WV	Using existing parts of main boom and luffing jib. Length 18 m – 84 m.
Winch II	Second hoist winch.
Winch III	Reeving main boom / Derrick operation.
Winch V	Luffing for W-jib configuration.
Whip line 25 t	To be mounted on the S and L-boom head.

Additional equipment

Mechanical outriggers	For erection of long boom combinations without derrick-counterweight.
Hydraulic assembly jacks	Lifting of the basic machine for assembly/disassembly. Consisting of 4 lifting cylinders with supporting pads, installed on the centre part.
Hydraulic assembly cylinder	For assembly/disassembly of the crawler carrier by the crane itself.
Pin pulling device	Including mobile hydraulic power pack. For pinning of the basic unit and the S- and L- intermediate sections.

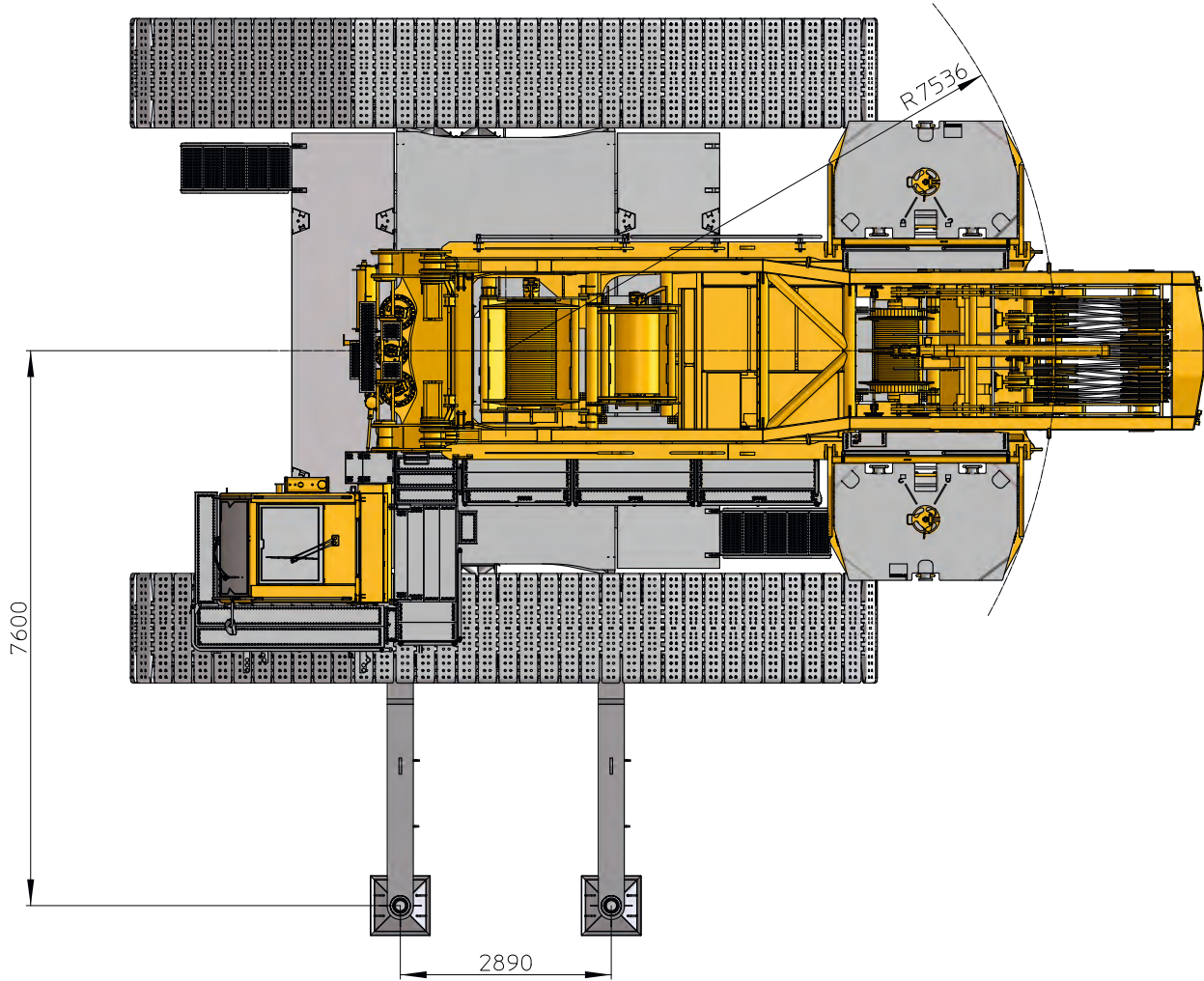
Other items of equipment available on request.
Standard equipment and options according to effective price list.

Dimensions

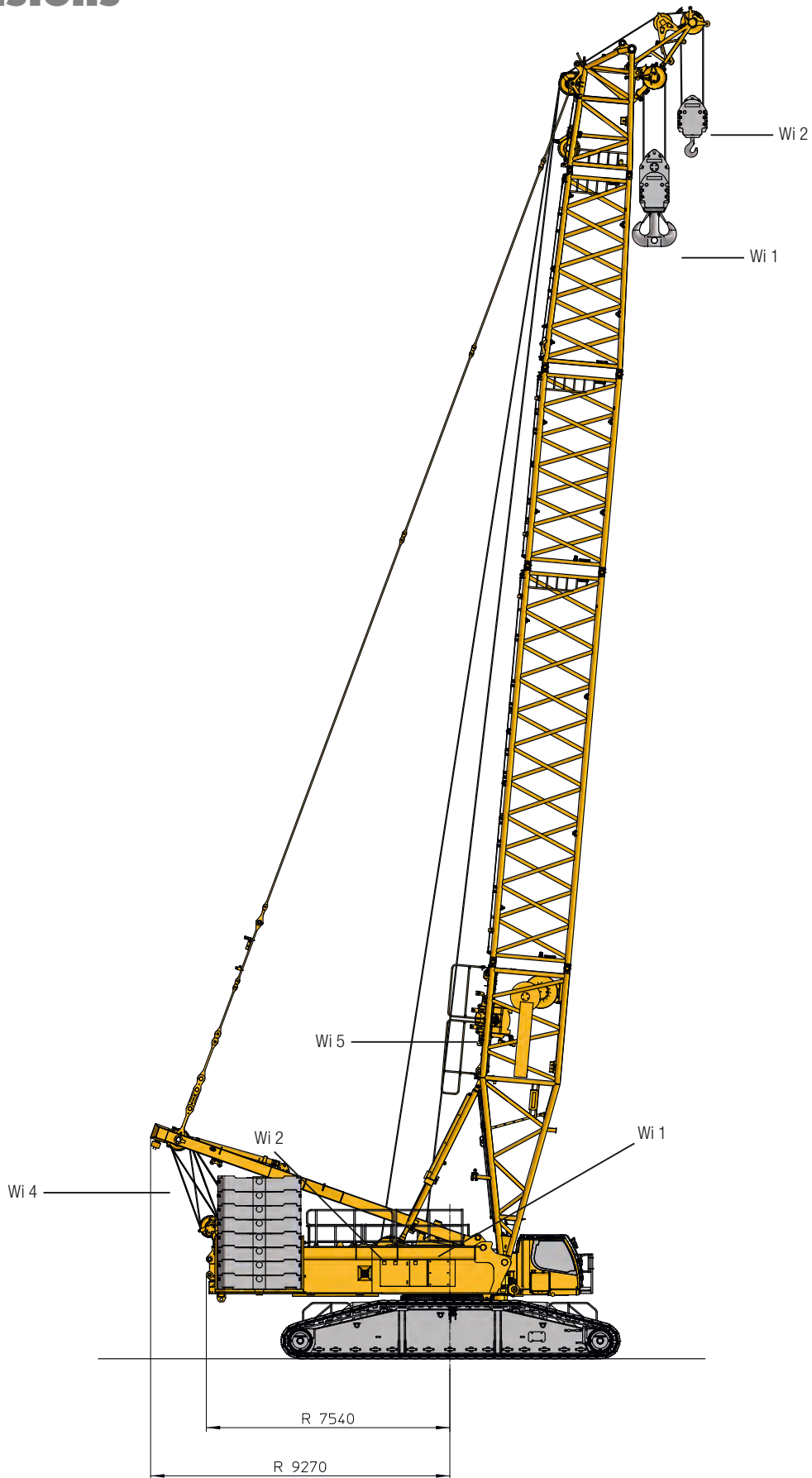




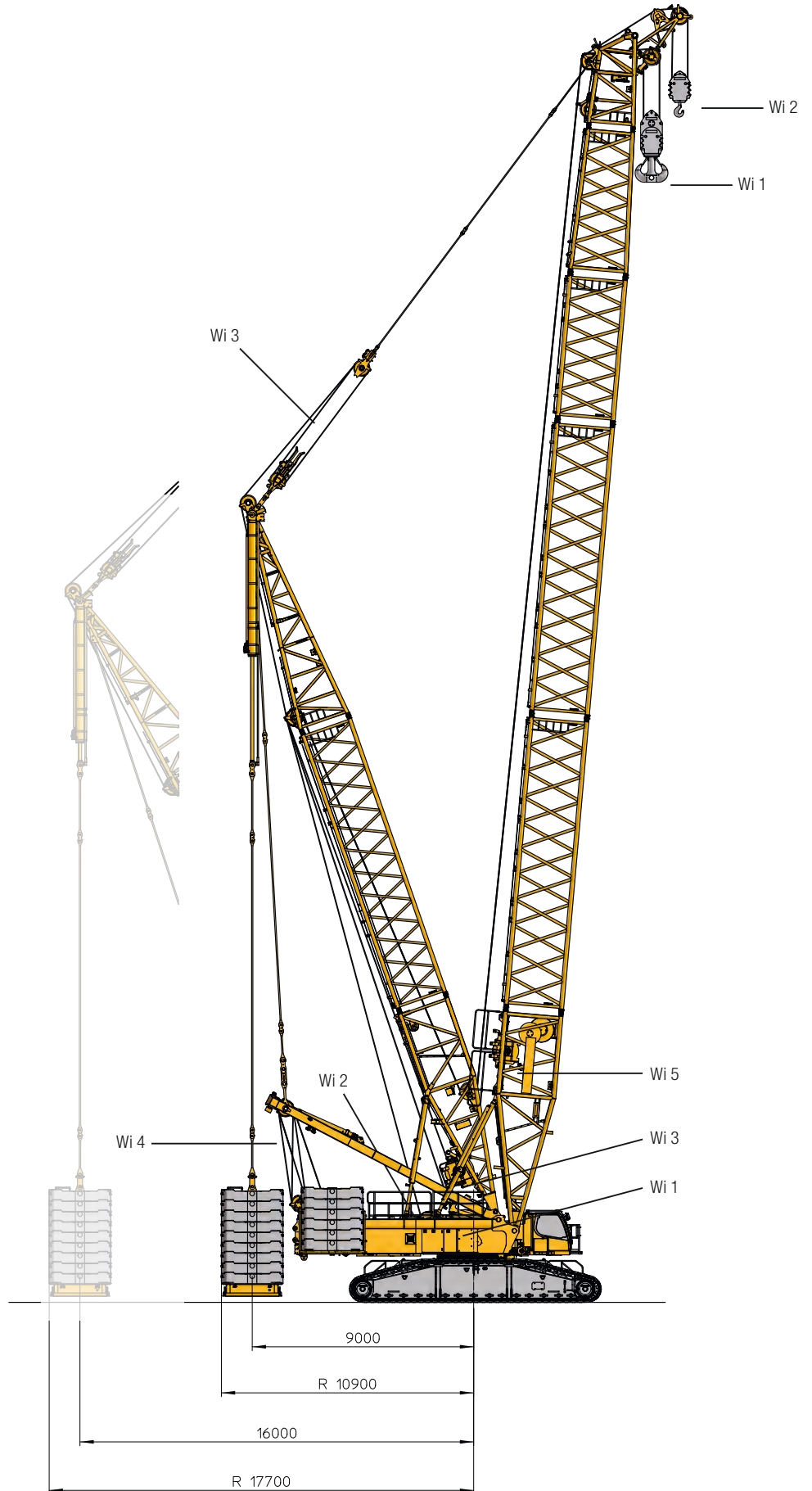
Dimensions



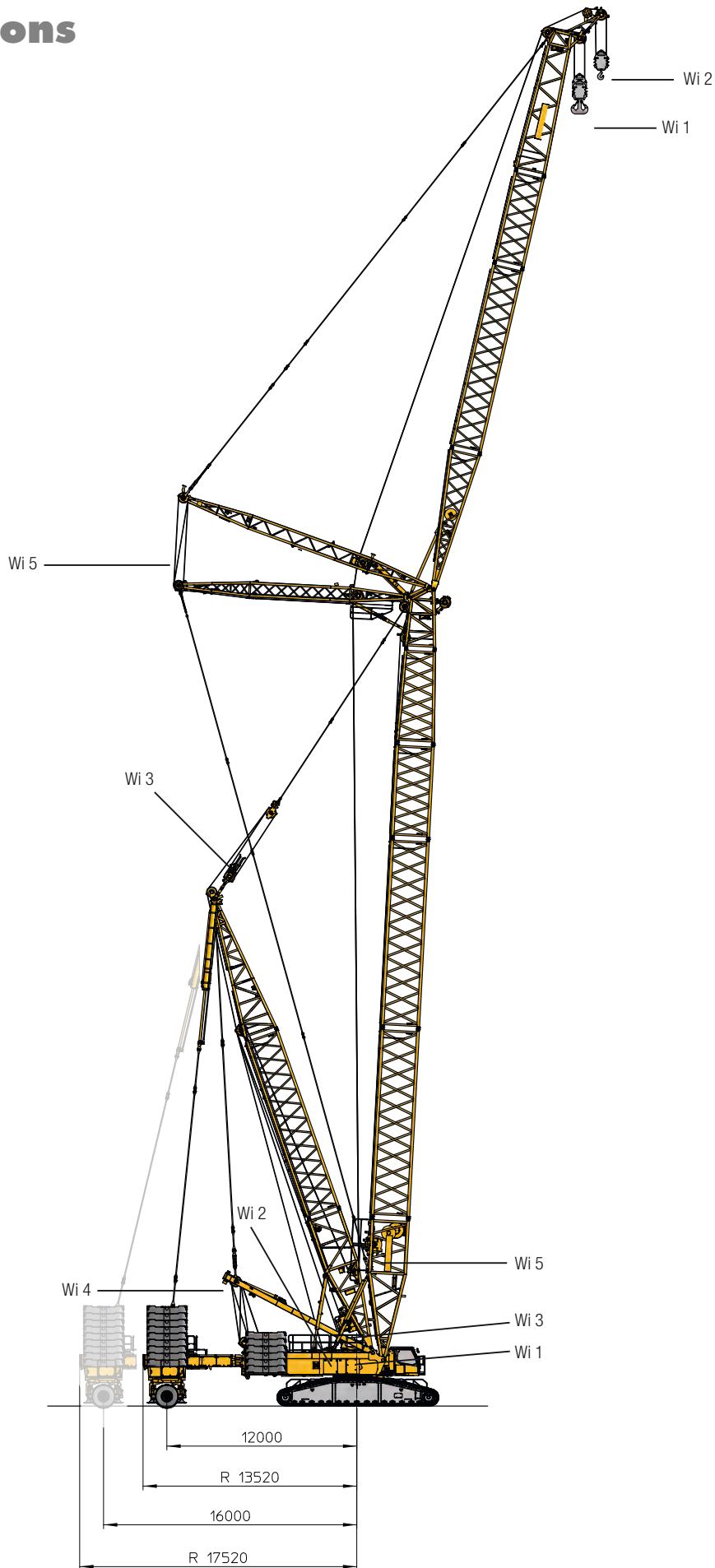
Dimensions



Dimensions

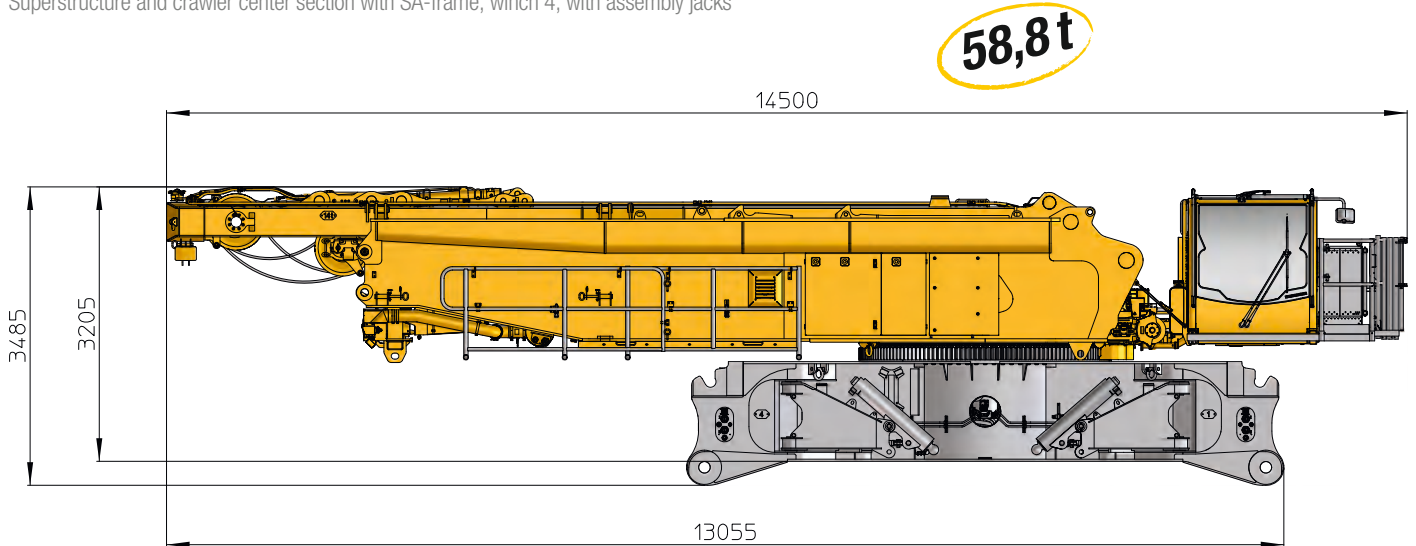


Dimensions

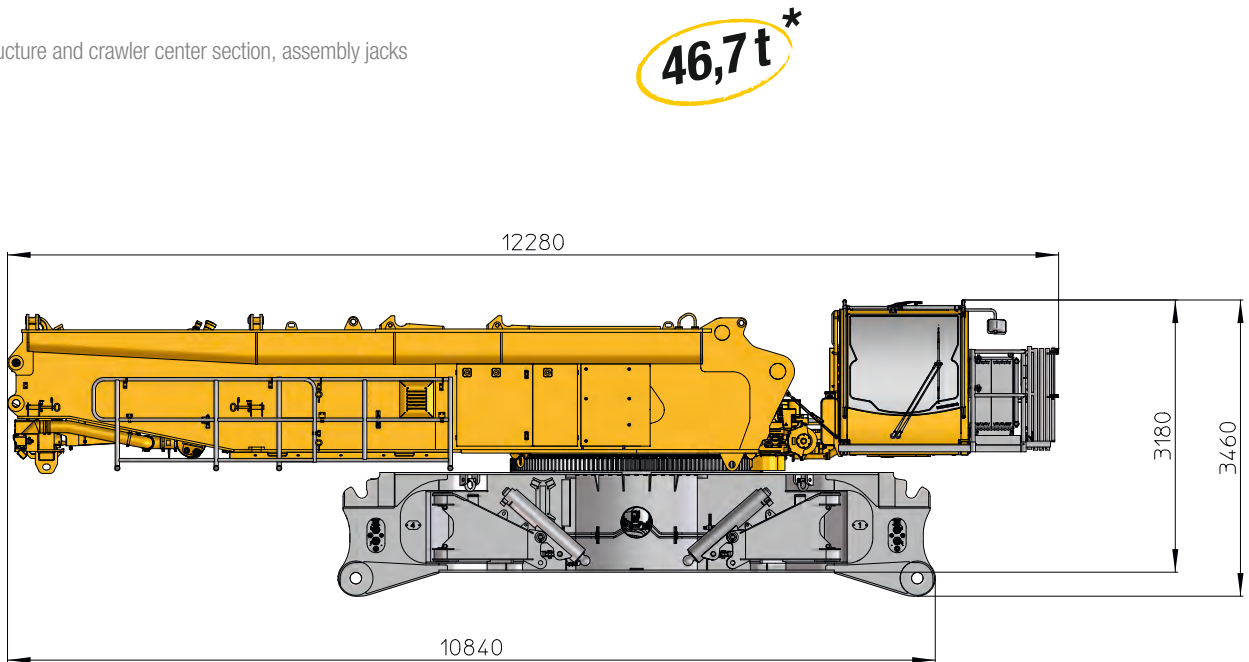


Transportation plan

Superstructure and crawler center section with SA-frame, winch 4, with assembly jacks

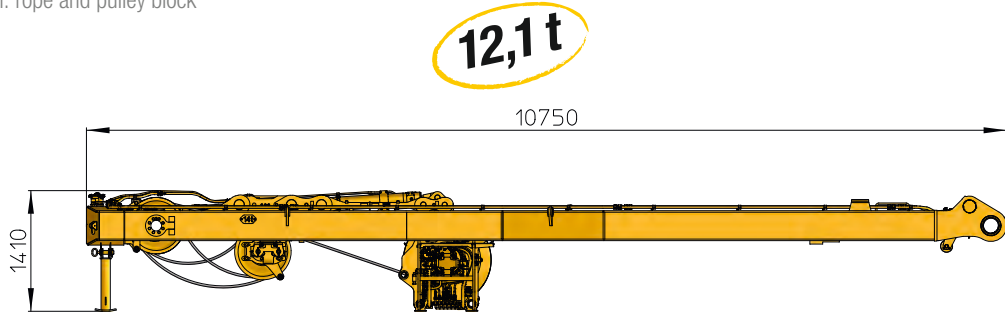


Superstructure and crawler center section, assembly jacks

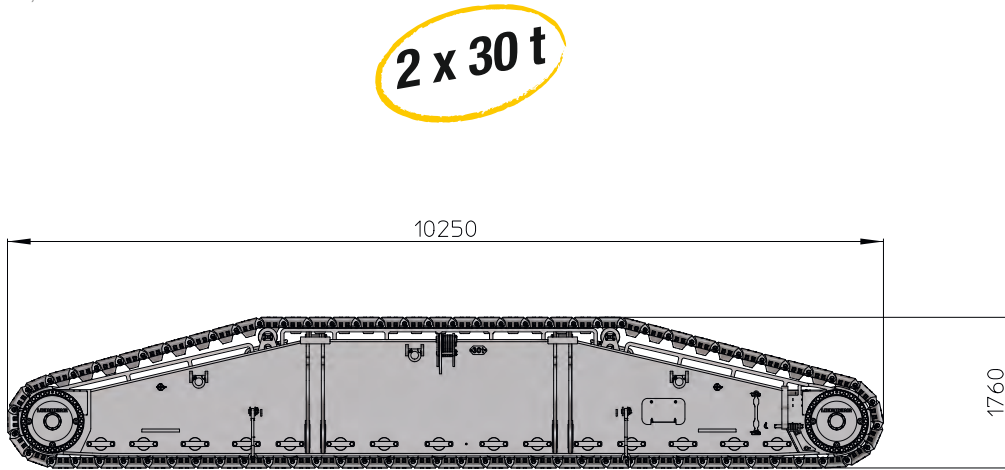


Transportation plan

SA-frame, winch 4 incl. rope and pulley block



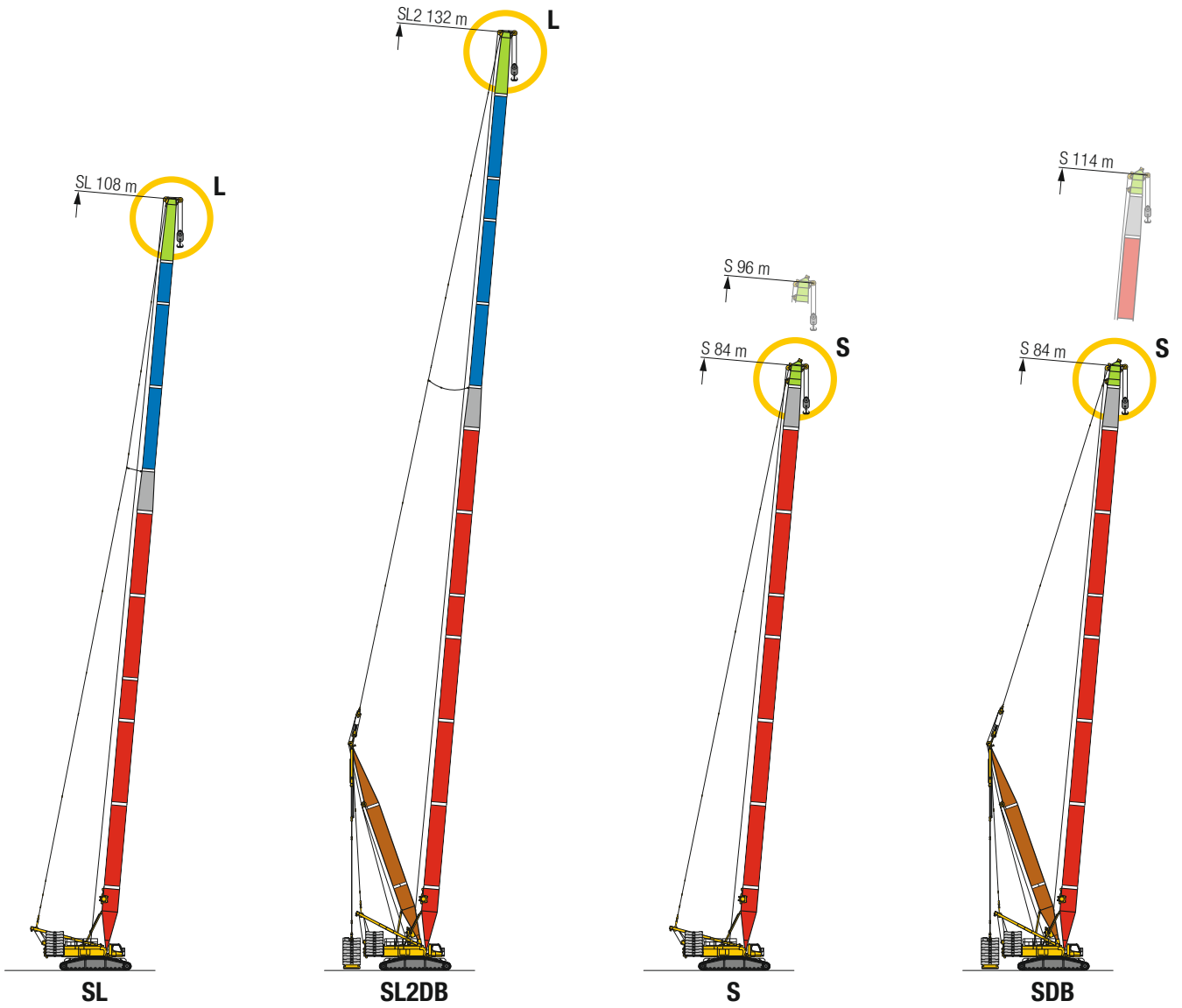
Crawler with track pads 1,5 m



Boom/jib combinations

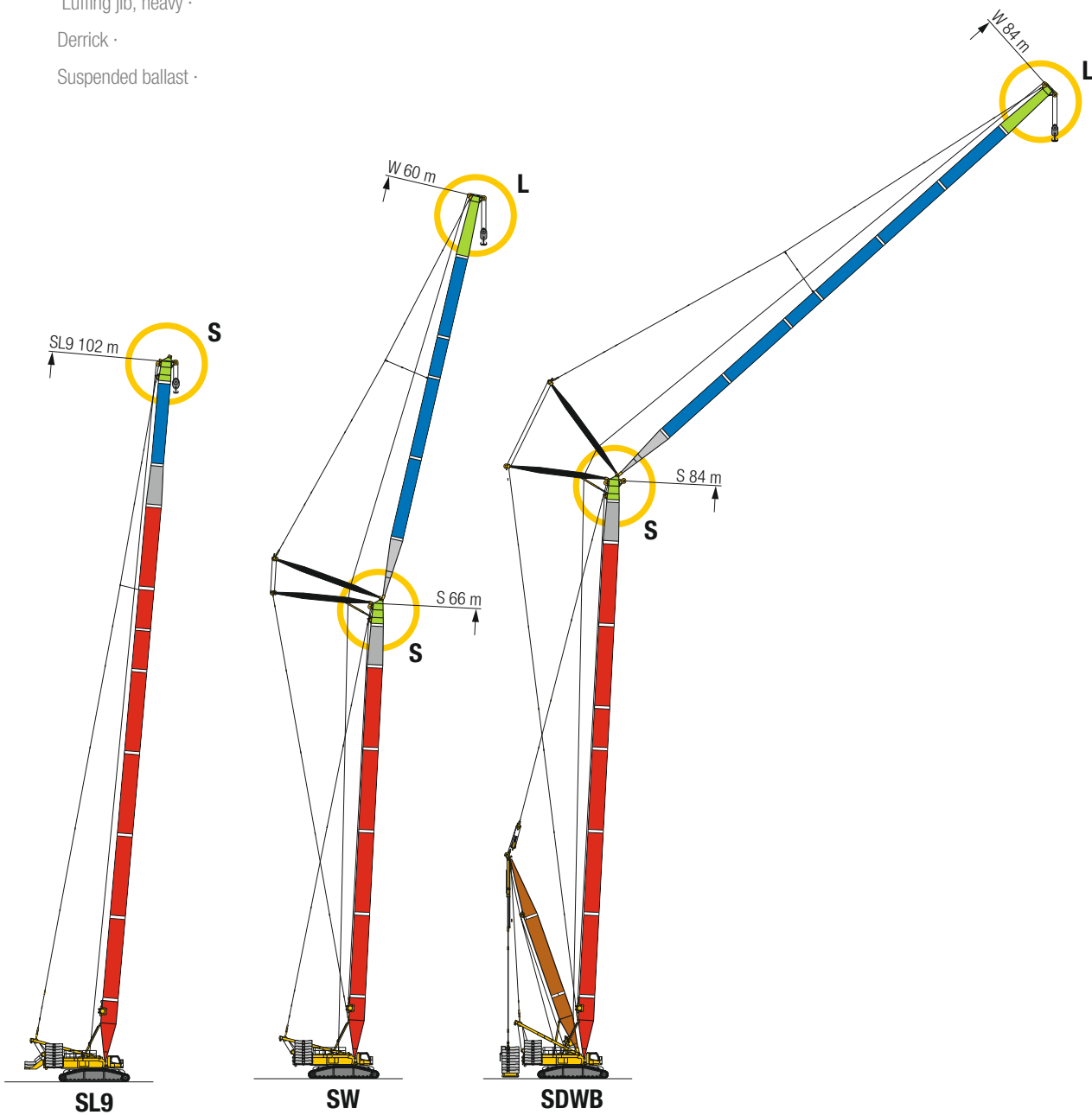
S Main boom, heavy

SL Main boom, heavy/light




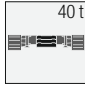
Boom/jib combinations

- W** Luffing jib, heavy ·
- D** Derrick ·
- B** Suspended ballast ·



SL

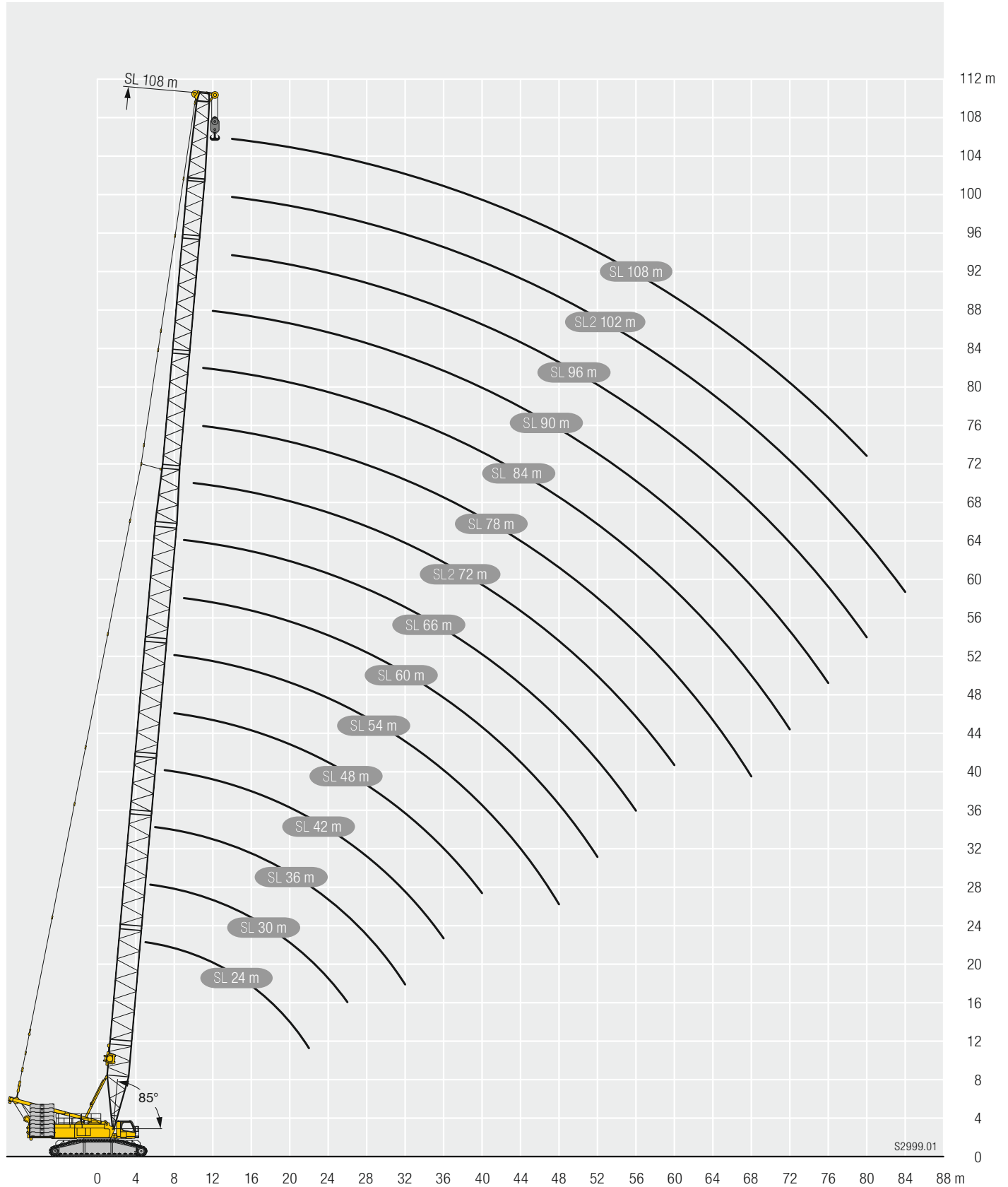
SL 24 - 108

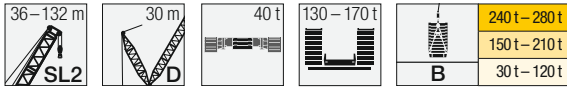
24-108 m	40 t	170 t
		150 t
		130 t

m	SL 24 - 108														m	
	24 m	30 m	36 m	42 m	48 m	54 m	60 m	66 m	72 m	78 m	84 m	90 m	96 m	102 m		108 m
5	250,0															5
5,5	250,0	250,0														5,5
6	250,0	250,0	250,0													6
7	250,0	250,0	250,0	250,0												7
8	250,0	250,0	250,0	250,0	250,0	249,0										8
9	250,0	250,0	250,0	247,0	250,0	242,0	230,0	189,0								9
10	250,0	243,0	247,0	239,0	227,0	216,0	206,0	180,0	165,0							10
11	229,0	237,0	225,0	214,0	204,0	195,0	186,0	170,0	157,0	138,0	146,0					11
12	220,0	213,0	203,0	194,0	185,0	178,0	170,0	161,0	148,0	130,0	141,0	123,0				12
14	177,0	176,0	169,0	162,0	155,0	150,0	144,0	140,0	131,0	115,0	125,0	118,0	106,0	94,4	83,1	14
16	146,0	145,0	144,0	139,0	133,0	129,0	124,0	121,0	115,0	102,0	108,0	105,0	101,0	91,2	80,8	16
18	124,0	123,0	122,0	120,0	117,0	113,0	109,0	106,0	101,0	90,7	95,5	92,5	89,2	85,9	78,0	18
20	107,0	107,0	105,0	104,0	103,0	100,0	96,5	94,3	89,9	80,6	84,8	82,2	79,4	76,9	74,1	20
22	93,7	93,4	92,4	91,4	89,8	89,1	86,3	84,5	80,6	72,2	76,0	73,7	71,1	68,9	67,0	22
24		83,0	82,3	80,9	79,5	78,9	77,5	76,3	73,8	65,5	68,5	66,4	64,1	62,0	60,4	24
26		74,5	73,8	72,5	71,0	70,5	69,2	68,9	67,2	60,7	62,1	60,2	57,9	56,1	54,7	26
28			66,5	65,4	64,0	63,4	62,2	61,9	60,9	56,7	56,6	54,8	52,7	51,0	49,6	28
30			60,6	59,5	58,1	57,5	56,2	56,0	55,0	53,0	51,7	50,0	48,1	46,5	45,2	30
32			55,4	54,3	52,9	52,4	51,1	50,9	49,9	48,7	47,2	45,8	44,0	42,5	41,3	32
34				49,9	48,6	48,0	46,7	46,5	45,5	44,4	42,8	42,0	40,3	38,9	37,8	34
36				46,0	44,6	44,1	42,8	42,6	41,7	40,5	39,1	38,2	37,0	35,7	34,6	36
38					41,3	40,7	39,4	39,2	38,3	37,1	35,7	34,8	33,7	32,7	31,7	38
40					38,2	37,7	36,4	36,2	35,3	34,1	32,6	31,8	30,7	29,8	29,1	40
44						32,6	31,3	31,1	30,1	28,9	27,5	26,7	25,6	24,7	24,1	44
48						28,5	27,1	26,9	25,9	24,7	23,3	22,5	21,4	20,6	20,0	48
52							23,7	23,4	22,4	21,3	19,8	19,0	17,9	17,1	16,5	52
56								20,5	19,5	18,3	16,9	16,1	15,0	14,1	13,6	56
60									17,0	15,8	14,4	13,6	12,5	11,6	11,0	60
64										13,7	12,3	11,4	10,3	9,6	9,1	64
68										11,8	10,4	9,6	8,7	7,9	7,5	68
72											9,0	8,2	7,3	6,5	6,0	72
76												6,9	6,0	5,3	4,8	76
80													4,8	4,0	3,5	80
84														2,8		84

Lifting heights

SL

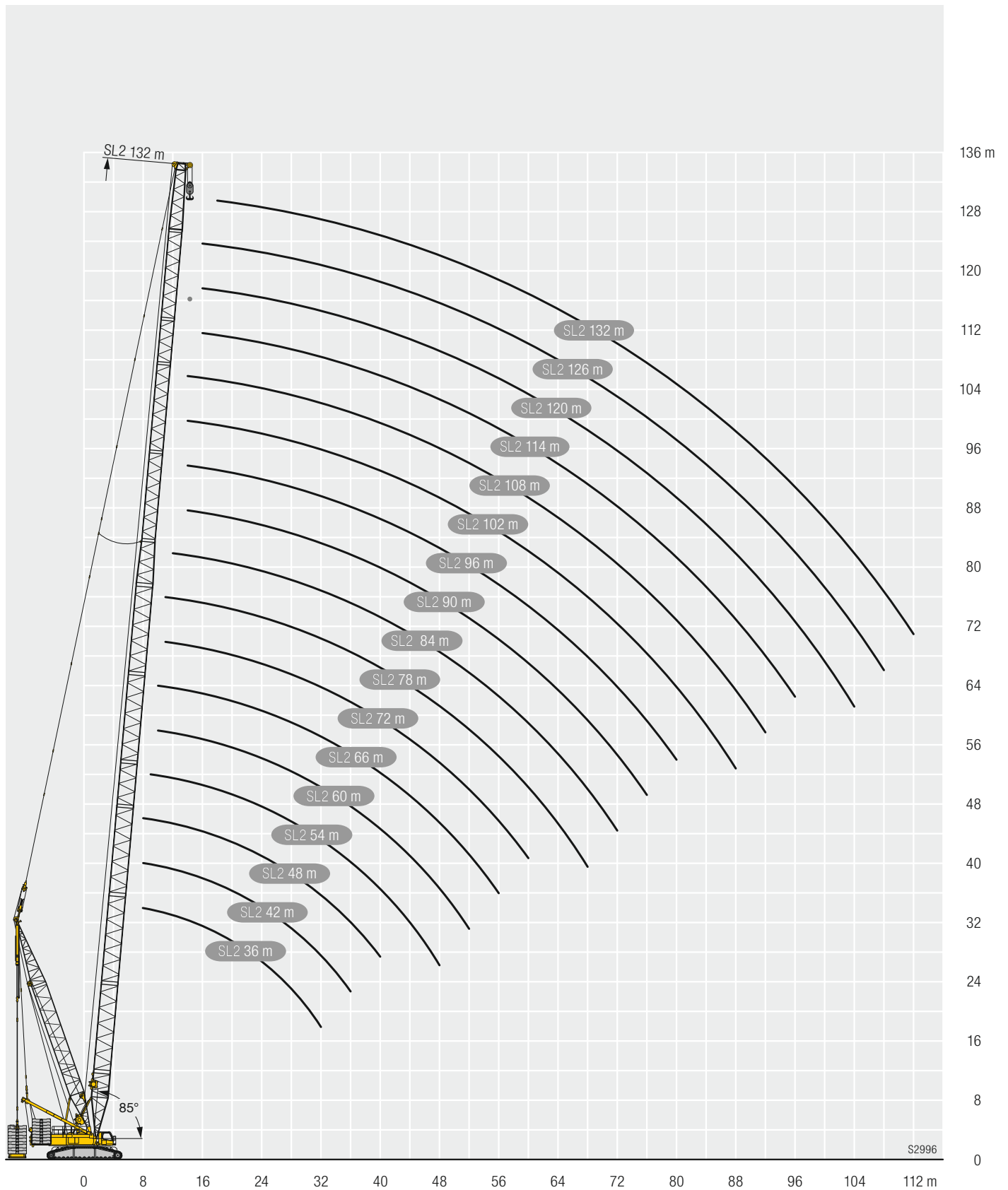


SL2DB
SL2 36 - 132


		SL2 36 - 132																
m		36 m	42 m	48 m	54 m	60 m	66 m	72 m	78 m	84 m	90 m	96 m	102 m	108 m	114 m	120 m	126 m	132 m
7	-	250,0																
	B	250,0																
8	-	250,0	250,0	250,0														
	B	250,0	250,0	250,0														
9	-	250,0	250,0	240,0	227,0													
	B	250,0	250,0	250,0	250,0													
10	-	237,0	224,0	218,0	207,0	197,0	184,0											
	B	250,0	250,0	250,0	250,0	250,0	250,0											
11	-	211,0	205,0	196,0	187,0	178,0	171,0	187,0	157,0									
	B	250,0	250,0	250,0	250,0	250,0	250,0	250,0	228,0									
12	-	194,0	185,0	177,0	170,0	163,0	155,0	172,0	166,0	157,0								
	B	250,0	250,0	250,0	250,0	250,0	250,0	250,0	228,0	200,0								
14	-	162,0	155,0	149,0	143,0	137,0	132,0	148,0	144,0	139,0	133,0	131,0	121,0	103,0				
	B	250,0	250,0	250,0	250,0	250,0	250,0	250,0	226,0	199,0	167,0	148,0	131,0	115,0				
16	-	138,0	133,0	128,0	123,0	118,0	114,0	131,0	128,0	124,0	118,0	114,0	111,0	107,0	99,2	85,3	75,0	
	B	250,0	250,0	250,0	249,0	249,0	250,0	250,0	224,0	197,0	166,0	147,0	130,0	114,0	101,0	87,4	75,0	
18	-	117,0	115,0	111,0	107,0	103,0	99,4	115,0	112,0	109,0	107,0	103,0	100,0	96,9	94,2	86,8	74,2	64,6
	B	250,0	250,0	249,0	248,0	248,0	249,0	250,0	223,0	193,0	163,0	146,0	129,0	114,0	101,0	86,8	74,2	64,6
20	-	101,0	99,3	97,9	94,8	91,2	87,8	102,0	100,0	97,0	94,9	92,1	89,4	86,6	84,2	82,0	73,4	64,1
	B	244,0	250,0	249,0	248,0	248,0	248,0	248,0	218,0	192,0	160,0	144,0	127,0	113,0	99,9	86,0	73,7	64,1
22	-	88,4	86,9	85,7	84,3	81,4	78,2	91,5	89,6	87,0	85,3	82,7	80,3	77,8	75,6	73,7	70,9	63,3
	B	234,0	245,0	248,0	247,0	247,0	244,0	246,0	216,0	186,0	156,0	142,0	126,0	111,0	99,1	85,0	73,2	63,3
24	-	78,4	77,0	75,8	74,7	73,0	70,3	82,5	80,9	78,5	77,1	74,7	72,5	70,3	68,3	66,6	64,6	61,3
	B	227,0	237,0	237,0	236,0	233,0	231,0	232,0	211,0	183,0	154,0	139,0	125,0	110,0	97,8	83,8	72,6	62,3
26	-	70,2	68,7	67,6	66,4	65,2	63,4	74,8	73,4	71,2	70,0	67,7	65,9	63,8	61,9	60,4	58,6	57,5
	B	213,0	221,0	219,0	218,0	216,0	214,0	216,0	208,0	176,0	154,0	138,0	122,0	108,0	96,5	82,8	71,7	61,2
28	-	63,3	61,9	60,7	59,6	58,4	57,0	68,1	66,9	64,9	63,9	61,8	60,1	58,1	56,4	55,0	53,3	52,3
	B	192,0	204,0	203,0	201,0	200,0	198,0	201,0	199,0	176,0	149,0	135,0	120,0	107,0	94,8	82,1	70,7	60,1
30	-	57,5	56,1	55,0	53,8	52,6	51,3	61,8	61,3	59,4	58,5	56,6	54,9	53,0	51,5	50,2	48,6	47,8
	B	173,0	187,0	189,0	187,0	186,0	184,0	187,0	186,0	170,0	144,0	134,0	118,0	106,0	93,8	80,8	69,5	58,9
32	-	52,6	51,2	50,0	48,9	47,6	46,3	56,0	55,8	54,5	53,7	51,9	50,4	48,6	47,1	45,9	44,4	43,7
	B	155,0	171,0	176,0	175,0	174,0	172,0	174,0	174,0	167,0	137,0	134,0	117,0	104,0	92,9	79,6	68,3	57,7
34	-		46,9	45,7	44,5	43,3	42,0	51,0	50,9	49,8	49,5	47,7	46,3	44,6	43,2	42,1	40,7	40,0
	B		157,0	164,0	164,0	163,0	161,0	163,0	163,0	161,0	129,0	129,0	116,0	103,0	91,0	78,3	67,2	57,1
36	-		43,2	41,9	40,8	39,5	38,2	46,7	46,5	45,6	45,3	44,0	42,6	41,0	39,7	38,7	37,3	36,7
	B		144,0	152,0	154,0	153,0	151,0	153,0	153,0	151,0	122,0	127,0	113,0	101,0	89,7	76,6	66,1	56,5
38	-			38,6	37,5	36,2	34,9	42,8	42,6	41,7	41,6	40,4	39,3	37,7	36,5	35,6	34,2	33,6
	B			141,0	145,0	145,0	143,0	143,0	143,0	142,0	118,0	122,0	111,0	98,5	86,5	75,3	65,1	55,6
40	-			35,7	34,5	33,2	32,0	39,4	39,2	38,2	38,1	37,1	36,2	34,8	33,6	32,7	31,4	30,8
	B			131,0	136,0	136,0	135,0	135,0	135,0	134,0	114,0	117,0	107,0	97,5	86,9	74,6	64,1	54,4
44	-				29,5	28,2	27,0	33,5	33,3	32,4	32,3	31,2	30,4	29,4	28,5	27,7	26,5	25,9
	B				120,0	122,0	121,0	121,0	120,0	119,0	105,0	111,0	103,0	91,6	83,2	71,0	61,7	51,8
48	-				25,6	24,2	22,9	28,7	28,5	27,6	27,5	26,4	25,7	24,7	23,9	23,3	22,4	21,8
	B				104,0	109,0	110,0	109,0	109,0	107,0	99,5	105,0	95,4	87,6	79,9	67,0	59,1	49,8
52	-					20,9	19,5	24,7	24,6	23,6	23,5	22,5	21,7	20,7	20,0	19,4	18,6	18,2
	B					95,7	98,9	98,3	98,2	97,6	95,2	96,5	91,9	82,5	75,4	64,0	57,6	47,8
56	-						16,8	21,4	21,2	20,3	20,1	19,1	18,3	17,3	16,6	16,1	15,3	15,1
	B						87,4	89,2	89,6	88,8	88,5	88,1	86,8	79,2	72,0	59,7	55,2	45,7
60	-							18,7	18,4	17,4	17,3	16,2	15,5	14,4	13,7	13,2	12,4	12,2
	B							80,8	82,2	81,2	81,5	80,8	80,0	76,4	68,4	57,0	52,1	43,7
64	-								16,0	15,0	14,8	13,7	13,0	12,0	11,2	10,8	10,0	9,9
	B								75,4	74,5	74,9	74,1	73,5	72,2	66,2	54,4	50,1	41,8
68	-								14,0	12,8	12,7	11,6	10,8	9,9	9,2	8,8	8,1	8,0
	B								68,2	68,2	69,0	68,3	67,6	66,7	63,1	51,7	48,0	40,2
72	-									11,0	10,8	9,7	9,1	8,2	7,6	7,2	6,5	6,3
	B									61,9	63,4	63,2	62,6	61,8	59,7	49,5	45,5	38,4
76	-										9,3	8,3	7,7	6,8	6,1	5,7	4,8	4,6
	B										58,2	58,3	57,4	57,2	55,7	47,9	44,1	36,3
80	-											7,1	6,3	5,4	4,7	4,3		3,0
	B											52,4	52,3	52,7	51,4	46,2	42,8	35,3
84	-												5,0	4,0	3,3			
	B												48,4	48,3	47,5	45,3	40,8	34,2
88	-													3,8	2,7			
	B													44,7	44,6	44,2	43,3	32,8
92	-														41,1	41,0	40,5	38,4
	B																	32,1
96	-															37,8	37,2	35,3
	B																	31,2
100	-																33,5	32,5
	B																	30,4
104	-																30,8	30,3
	B																	29,6
108	-																	28,1
	B																	27,8
112	-																	
	B																	25,9

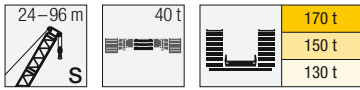
Lifting heights

SL2DB



S

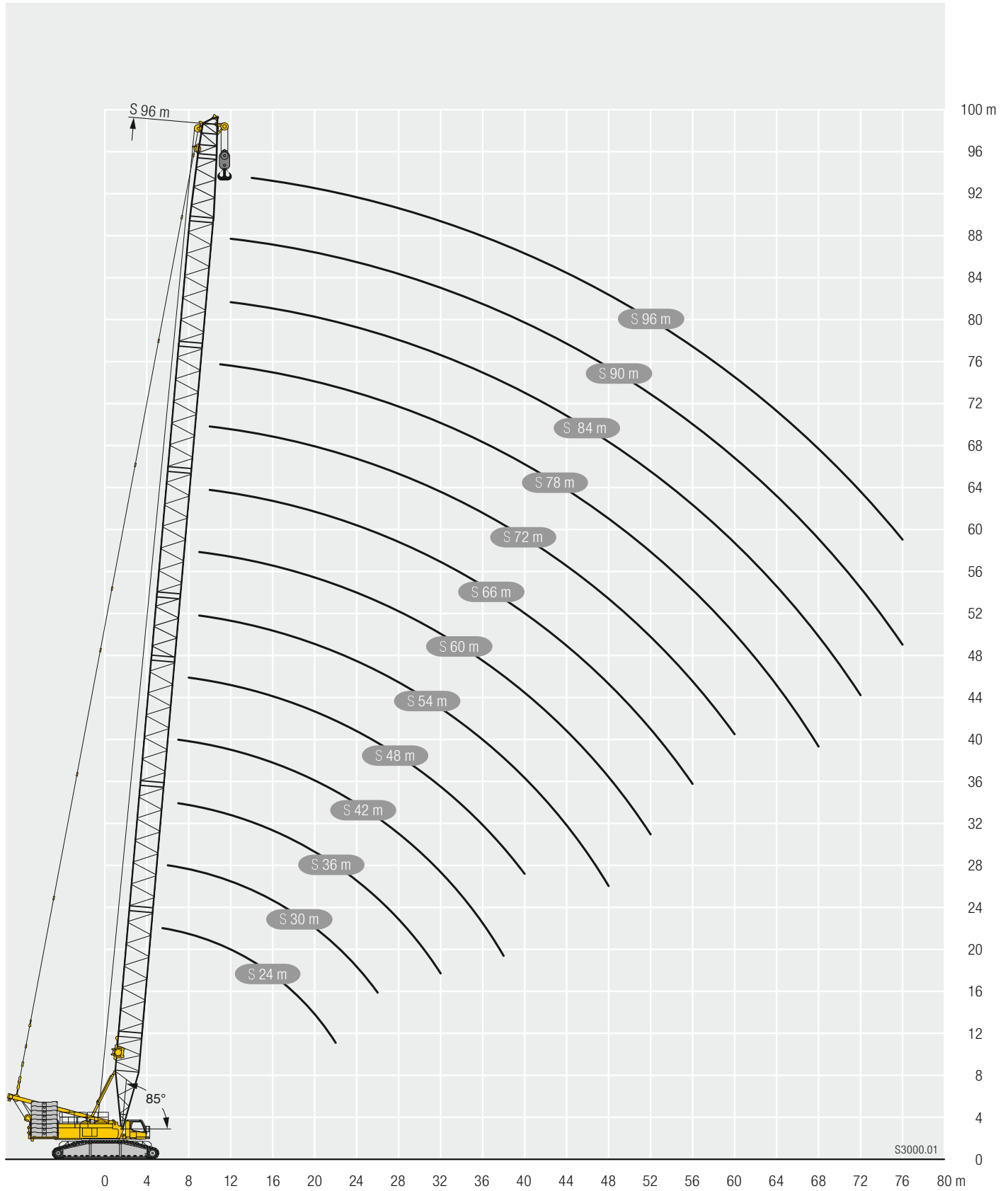
S 24 - 96



		S 24 - 96														
m		24 m	30 m	36 m	42 m	48 m	54 m	60 m	66 m	72 m	78 m	84 m	90 m	96 m	m	
5,5		400,0														5,5
6		399,0	392,0													6
7		360,0	356,0	353,0	357,0											7
8		317,0	324,0	320,0	306,0	287,0										8
9		291,0	288,0	283,0	266,0	252,0	239,0	227,0								9
10		262,0	258,0	248,0	235,0	223,0	213,0	203,0	193,0	185,0						10
11		239,0	232,0	221,0	210,0	201,0	191,0	183,0	175,0	168,0	161,0					11
12		217,0	209,0	199,0	190,0	181,0	174,0	166,0	160,0	153,0	147,0	142,0	129,0			12
14		174,0	172,0	165,0	158,0	152,0	146,0	140,0	135,0	130,0	125,0	121,0	116,0	95,5		14
16		143,0	141,0	140,0	135,0	130,0	125,0	120,0	116,0	112,0	108,0	105,0	101,0	85,8		16
18		121,0	119,0	118,0	117,0	113,0	109,0	105,0	102,0	98,0	94,4	91,7	88,4	78,0		18
20		104,0	103,0	102,0	100,0	99,2	95,8	92,5	89,7	86,6	83,4	81,1	78,1	70,9		20
22		91,1	89,9	88,6	87,7	86,6	85,1	82,3	79,8	77,1	74,1	72,1	69,5	64,6		22
24			79,5	78,5	77,2	76,2	75,3	73,7	71,6	69,0	66,4	64,6	62,2	58,6		24
26			70,9	69,9	68,9	67,8	66,9	65,8	64,5	62,3	59,8	58,1	55,9	53,5		26
28				62,7	61,8	60,7	59,8	58,8	58,0	56,3	54,0	52,6	50,4	48,6		28
30				56,9	55,8	54,9	53,7	52,8	52,0	50,9	49,0	47,7	45,7	44,5		30
32				51,8	50,5	49,6	48,7	47,7	46,9	45,8	44,5	43,4	41,4	40,4		32
34					46,3	45,3	44,3	43,2	42,5	41,4	40,2	39,5	37,7	36,7		34
36					42,4	41,3	40,3	39,3	38,6	37,6	36,3	35,8	34,4	33,4		36
38					39,1	38,0	37,0	35,9	35,2	34,2	32,9	32,4	31,2	30,4		38
40						35,0	33,8	32,8	32,2	31,1	29,9	29,3	28,1	27,6		40
44							28,7	27,7	27,0	25,9	24,7	24,1	23,0	22,5		44
48							24,7	23,6	22,8	21,7	20,5	19,9	18,7	18,2		48
52								20,1	19,4	18,2	17,0	16,4	15,3	14,8		52
56									16,5	15,3	14,0	13,4	12,3	11,8		56
60										12,8	11,5	10,9	9,8	9,4		60
64											9,5	9,0	8,0	7,5		64
68												7,8	7,4	6,3	5,9	68
72													5,7	4,6	4,2	72
76														3,1	2,6	76

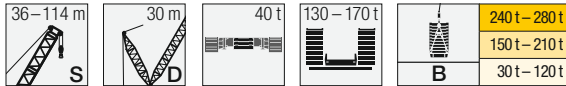
Lifting heights

S



SDB

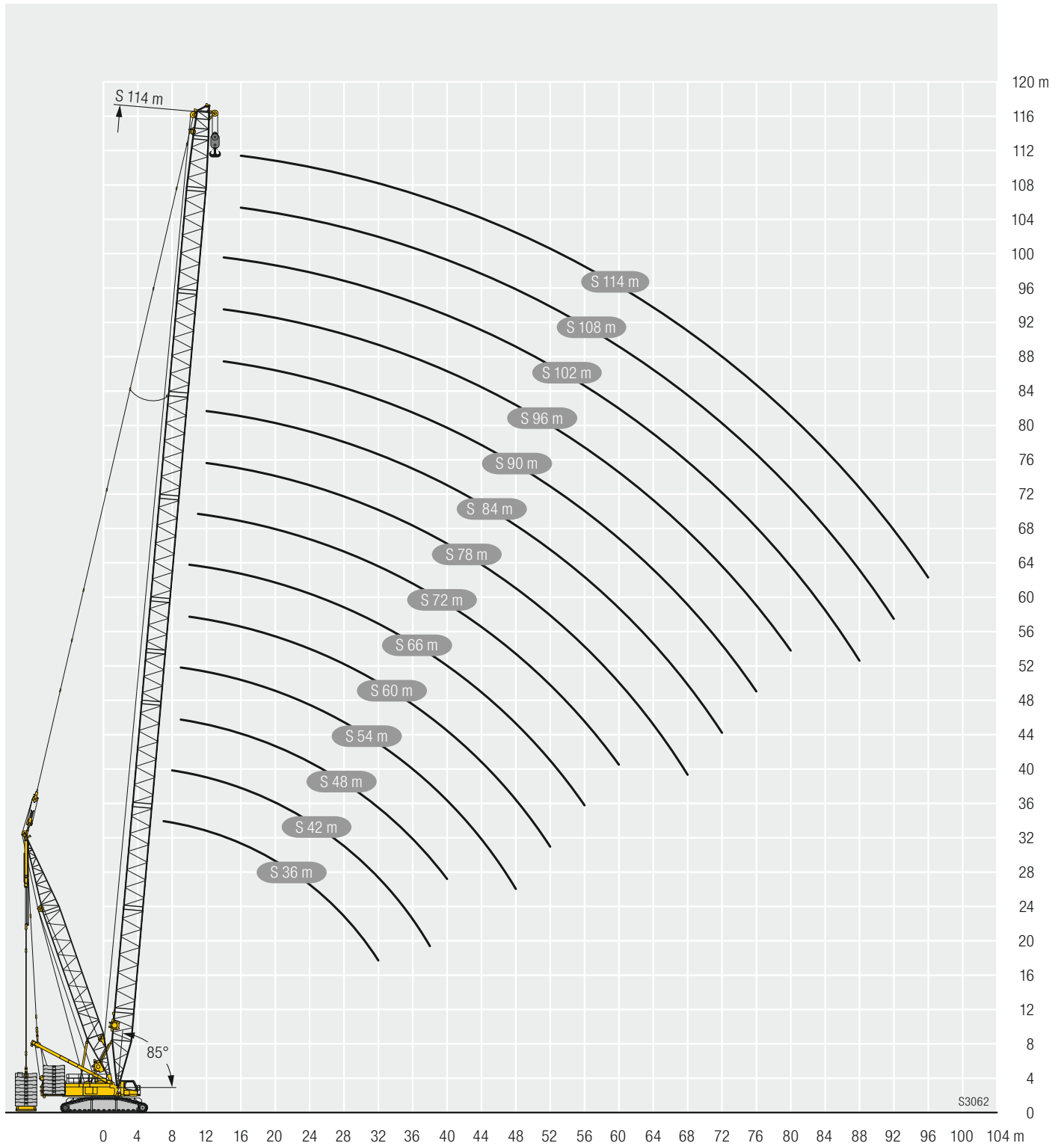
S 36 - 114



		S 36 - 114													
		36 m	42 m	48 m	54 m	60 m	66 m	72 m	78 m	84 m	90 m	96 m	102 m	108 m	114 m
7	-	358,0													
	SDB	400,0													
8	-	307,0	287,0												
	SDB	400,0	400,0												
9	-	271,0	255,0	241,0	229,0										
	SDB	400,0	398,0	400,0	371,0										
10	-	238,0	225,0	214,0	204,0	223,0	210,0								
	SDB	400,0	398,0	397,0	371,0	342,0	299,0								
11	-	212,0	201,0	192,0	183,0	201,0	193,0	183,0							
	SDB	400,0	396,0	397,0	369,0	342,0	299,0	264,0							
12	-	191,0	181,0	173,0	166,0	186,0	179,0	169,0	165,0	157,0					
	SDB	400,0	395,0	388,0	369,0	340,0	298,0	264,0	230,0	202,0					
14	-	158,0	151,0	145,0	139,0	160,0	155,0	149,0	144,0	136,0	131,0	127,0	123,0		
	SDB	376,0	366,0	369,0	353,0	335,0	300,0	262,0	227,0	201,0	174,0	151,0	134,0		
16	-	134,0	128,0	123,0	119,0	138,0	134,0	129,0	125,0	121,0	117,0	114,0	110,0	106,0	100,0
	SDB	346,0	345,0	338,0	328,0	319,0	295,0	257,0	226,0	199,0	172,0	148,0	133,0	116,0	100,0
18	-	114,0	111,0	107,0	103,0	120,0	117,0	113,0	109,0	106,0	103,0	99,8	96,5	93,5	90,6
	SDB	314,0	311,0	306,0	303,0	309,0	288,0	257,0	223,0	195,0	169,0	145,0	133,0	115,0	99,5
20	-	97,4	95,9	93,9	90,5	106,0	103,0	100,0	96,8	94,3	91,3	88,7	85,6	83,0	80,5
	SDB	286,0	283,0	279,0	277,0	284,0	278,0	250,0	219,0	194,0	166,0	141,0	132,0	114,0	98,7
22	-	84,9	83,6	82,3	80,3	94,5	92,1	89,2	86,3	84,1	81,6	79,3	76,5	74,3	71,9
	SDB	260,0	258,0	255,0	253,0	259,0	256,0	247,0	216,0	189,0	162,0	138,0	131,0	113,0	97,9
24	-	75,1	73,5	72,2	71,2	84,9	82,8	80,1	77,6	75,7	73,4	71,3	68,6	66,7	64,5
	SDB	235,0	236,0	234,0	232,0	237,0	235,0	231,0	213,0	187,0	157,0	134,0	130,0	113,0	96,9
26	-	66,9	65,4	64,2	63,0	76,2	74,9	72,4	70,1	68,4	66,3	64,4	61,9	60,2	58,1
	SDB	212,0	217,0	216,0	214,0	218,0	217,0	214,0	206,0	180,0	153,0	130,0	127,0	112,0	95,9
28	-	59,9	58,6	57,3	56,2	68,2	67,7	65,8	63,6	62,1	60,1	58,4	56,1	54,5	52,5
	SDB	191,0	201,0	199,0	198,0	202,0	201,0	199,0	196,0	179,0	148,0	125,0	126,0	110,0	94,6
30	-	54,1	52,8	51,5	50,4	61,5	60,9	59,8	58,0	56,5	54,7	53,1	50,9	49,5	47,6
	SDB	171,0	185,0	186,0	184,0	188,0	186,0	185,0	183,0	174,0	146,0	122,0	123,0	109,0	93,4
32	-	49,4	47,9	46,6	45,4	55,7	55,1	54,1	53,0	51,7	49,9	48,4	46,4	45,0	43,2
	SDB	153,0	168,0	173,0	172,0	175,0	174,0	173,0	171,0	167,0	142,0	119,0	121,0	108,0	92,3
34	-	43,7	42,3	41,1	40,6	50,6	50,1	49,1	48,1	47,4	45,7	44,3	42,3	41,0	39,3
	SDB	154,0	161,0	161,0	163,0	162,0	161,0	160,0	158,0	141,0	117,0	119,0	106,0	91,4	
36	-	40,0	38,6	37,4	36,2	46,2	45,7	44,7	43,7	43,2	42,0	40,5	38,6	37,4	35,7
	SDB	141,0	150,0	151,0	152,0	152,0	151,0	150,0	149,0	138,0	116,0	114,0	104,0	90,9	
38	-	36,8	35,3	34,1	32,3	41,8	40,8	39,8	39,3	38,4	37,2	35,3	34,1	32,5	
	SDB	128,0	139,0	142,0	143,0	142,0	141,0	141,0	140,0	135,0	114,0	111,0	102,0	90,6	
40	-		32,5	31,2	30,9	38,4	38,4	37,4	36,3	35,8	34,9	34,1	32,4	31,1	29,6
	SDB		128,0	134,0	134,0	134,0	133,0	132,0	132,0	130,0	111,0	108,0	101,0	89,1	
44	-				26,3	33,1	32,5	31,5	30,5	30,0	29,1	28,4	27,0	26,0	24,6
	SDB				117,0	120,0	119,0	119,0	118,0	117,0	116,0	104,0	100,0	95,6	86,0
48	-				22,4	28,4	27,8	26,7	25,7	25,1	24,2	23,5	22,3	21,6	20,3
	SDB				101,0	107,0	107,0	107,0	106,0	105,0	104,0	96,1	95,7	92,0	83,5
52	-					24,6	23,9	22,7	21,7	21,1	20,3	19,5	18,3	17,6	16,6
	SDB					93,4	97,3	96,4	95,5	95,1	94,1	89,1	90,7	87,1	80,1
56	-						20,6	19,4	18,3	17,8	16,8	16,1	14,9	14,2	13,2
	SDB						86,0	87,7	86,7	86,4	85,6	82,1	84,0	81,6	76,1
60	-							16,7	15,5	14,9	14,0	13,2	12,0	11,3	10,3
	SDB							79,5	79,4	78,9	78,0	76,1	76,7	75,6	71,6
64	-								13,1	12,4	11,5	10,7	9,6	9,0	8,1
	SDB								72,0	72,4	71,5	70,2	70,3	69,7	66,3
68	-								11,0	10,3	9,4	8,8	7,8	7,2	6,0
	SDB								64,8	66,3	65,8	64,3	64,4	64,0	61,7
72	-									8,7	7,8	7,1	6,0	5,3	
	SDB									60,5	60,5	59,0	59,3	58,6	57,4
76	-										6,1	5,4	4,3	3,6	
	SDB										55,6	54,1	54,4	53,7	53,0
80	-											3,8	2,7		
	SDB											48,7	49,8	49,4	48,6
84	-													45,7	44,7
	SDB														
88	-													41,9	41,3
	SDB														
92	-													38,7	38,1
	SDB														
96	-														34,9
	SDB														

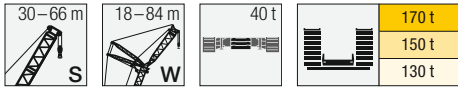
Lifting heights

SDB



SW

S 30



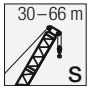
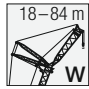
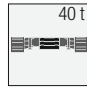

m	S 30												m
	W 18		W 24		W 30		W 36		W 42		W 48		
	87/85*	Wmax	87/85*	Wmax	87/85*	Wmax	87/85*	Wmax	87/85*	Wmax	87/85*	Wmax	
10	237,0	237,0											10
11	214,0	214,0	204,0	204,0									11
12	196,0	196,0	187,0	187,0									12
13	180,0	180,0	172,0	172,0	165,0	165,0							13
14	166,0	166,0	159,0	159,0	153,0	153,0 ⁽¹⁾	148,0	148,0					14
15	155,0	155,0	148,0	148,0	143,0	143,0	138,0	138,0					15
16	144,0	144,0	139,0	139,0	134,0	134,0	129,0	129,0	125,0	125,0			16
17	136,0	136,0	130,0	130,0	126,0	126,0	121,0	121,0	117,0	117,0 ⁽¹⁾	114,0	114,0	17
18	128,0	128,0	123,0	123,0	118,0	118,0	114,0	114,0	111,0	111,0	107,0	107,0	18
20	113,0	113,0	110,0	110,0	106,0	106,0	103,0	103,0	99,4	99,4	96,2	96,2	20
22	98,0*	98,0 ⁽¹¹⁾	98,4	98,4	95,8	95,8	92,7	92,7	89,9	89,9	87,2	87,2	22
24		86,2 ⁽¹¹⁾	87,8	87,8	86,7	86,7	84,5	84,5	82,0	82,0	79,5	79,5	24
26		75,7 ⁽¹¹⁾	79,2	79,2	78,1	78,1	77,1	77,1	75,2	75,2	72,8	72,8	26
28		66,7 ⁽¹¹⁾	70,9*	70,9	70,9	70,9	69,9	69,9	69,0	69,0	67,2	67,2	28
30		60,0 ⁽¹¹⁾		63,2 ⁽¹¹⁾	64,8	64,8	63,9	63,9	63,0	63,0	61,9	61,9	30
32		53,4 ⁽¹¹⁾		56,7 ⁽¹¹⁾	59,6	59,6	58,7	58,7	57,8	57,8	56,8	56,8	32
34		47,5 ⁽⁹⁾		50,8 ⁽¹¹⁾	54,1*	54,1	54,1	54,1	53,2	53,2	52,3	52,3	34
36		42,8 ⁽⁹⁾		46,1 ⁽¹¹⁾		48,5 ⁽¹¹⁾	50,2	50,2	49,3	49,3	48,3	48,3	36
38		38,1 ⁽⁷⁾		41,5 ⁽¹¹⁾		44,0 ⁽¹¹⁾	46,7	46,7	45,8	45,8	44,8	44,8	38
40		34,4 ⁽⁷⁾		37,1 ⁽⁹⁾		39,8 ⁽¹¹⁾	42,8*	42,8	42,7	42,7	41,7	41,7	40
44				30,0 ⁽⁷⁾		32,8 ⁽¹¹⁾		35,0 ⁽¹¹⁾	37,4	37,4	36,5	36,5	44
48						26,7 ⁽⁹⁾		29,1 ⁽¹¹⁾		30,8 ⁽¹¹⁾	32,2	32,2	48
52						21,6 ⁽⁷⁾		23,6 ⁽⁹⁾		25,7 ⁽¹¹⁾	28,0*	28,0	52
56								18,9 ⁽⁷⁾		21,2 ⁽¹¹⁾		22,7 ⁽¹¹⁾	56
60										17,0 ⁽⁹⁾		18,8 ⁽¹¹⁾	60
64										13,3 ⁽⁷⁾		14,9 ⁽⁹⁾	64
68												11,5 ⁽⁷⁾	68

1) 12°; 2) 17°; 3) 22°; 4) 27°; 5) 32°; 6) 37°; 7) 42°; 8) 47°; 9) 52°; 10) 57°; 11) 62°



m	S 30												m
	W 54		W 60		W 66		W 72		W 78		W 84		
	87/85*	Wmax	87/85*	Wmax	87/85*	Wmax	87/85*	Wmax	87/85*	Wmax	87/85*	Wmax	
18	85,0	85,0											18
20	93,3	93,3	90,9	90,9									20
22	84,5	84,5	82,4	82,4	79,6	79,6							22
24	77,1	77,1	75,2	75,2	72,7	72,7	71,0	71,0	67,0	67,0			24
26	70,8	70,8	69,0	69,0	66,7	66,7	65,1	65,1	63,3	63,3	55,7	55,7	26
28	65,2	65,2	63,7	63,7	61,5	61,5	60,0	60,0	58,3	58,3	54,7	54,7	28
30	60,4	60,4	58,9	58,9	56,9	56,9	55,6	55,6	54,0	54,0	52,3	52,3	30
32	55,8	55,8	54,8	54,8	52,8	52,8	51,6	51,6	50,1	50,1	48,5	48,5	32
34	51,4	51,4	50,7	50,7	49,1	49,1	48,0	48,0	46,6	46,6	45,2	45,2	34
36	47,4	47,4	46,8	46,8	45,6	45,6	44,9	44,9	43,5	43,5	42,1	42,1	36
38	43,9	43,9	43,4	43,4	42,2	42,2	41,7	41,7	40,6	40,6	39,4	39,4	38
40	40,9	40,9	40,3	40,3	39,2	39,2	38,6	38,6	37,8	37,8	36,7	36,7	40
44	35,6	35,6	35,0	35,0	34,0	34,0	33,4	33,4	32,6	32,6	31,8	31,8	44
48	31,3	31,3	30,7	30,7	29,7	29,7	29,2	29,2	28,4	28,4	27,6	27,6	48
52	27,7	27,7	27,2	27,2	26,1	26,1	25,6	25,6	24,9	24,9	24,0	24,0	52
56	24,8	24,8	24,2	24,2	23,1	23,1	22,6	22,6	21,9	21,9	21,1	21,1	56
60		20,0 ⁽¹¹⁾	21,6	21,6	20,6	20,6	20,0	20,0	19,3	19,3	18,5	18,5	60
64		16,6 ⁽¹¹⁾	18,9*	18,9	18,4	18,4	17,8	17,8	17,1	17,1	16,3	16,3	64
68		13,4 ⁽¹¹⁾		14,8 ⁽¹¹⁾	16,5	16,5	15,9	15,9	15,1	15,1	14,4	14,4	68
72		10,3 ⁽⁹⁾		12,1 ⁽¹¹⁾		12,8 ⁽¹¹⁾	14,3	14,3	13,4	13,4	12,7	12,7	72
76		7,7 ⁽⁷⁾		9,1 ⁽⁹⁾		10,4 ⁽¹¹⁾	12,4*	12,4	11,9	11,9	11,2	11,2	76
80				6,7 ⁽⁷⁾		8,2 ⁽¹¹⁾		9,2 ⁽¹¹⁾	10,7	10,7	9,9	9,9	80
84						5,8 ⁽⁹⁾		7,3 ⁽¹¹⁾		7,9 ⁽¹¹⁾	8,9	8,9	84
88						3,5 ⁽⁷⁾		5,0 ⁽⁹⁾		6,2 ⁽¹¹⁾	7,7*	7,7	88
92										4,4 ⁽¹¹⁾		5,3 ⁽¹¹⁾	92

1) 12°; 2) 17°; 3) 22°; 4) 27°; 5) 32°; 6) 37°; 7) 42°; 8) 47°; 9) 52°; 10) 57°; 11) 62°



SW

				170 t
				150 t
				130 t



 m	S 36												 m
	W 18		W 24		W 30		W 36		W 42		W 48		
	87/85*	Wmax	87/85*	Wmax	87/85*	Wmax	87/85*	Wmax	87/85*	Wmax	87/85*	Wmax	
10	225,0	225,0											10
11	204,0	204,0											11
12	187,0	187,0	179,0	179,0									12
13	172,0	172,0	165,0	165,0	158,0	158,0							13
14	159,0	159,0	153,0	153,0	147,0	147,0							14
15	148,0	148,0	143,0	143,0	137,0	137,0	133,0	133,0					15
16	139,0	139,0	134,0	134,0	129,0	129,0	124,0	124,0 ⁽¹⁾	120,0	120,0			16
17	131,0	131,0	126,0	126,0	121,0	121,0	117,0	117,0	113,0	113,0	109,0	109,0	17
18	123,0	123,0	119,0	119,0	114,0	114,0	111,0	111,0	107,0	107,0	103,0	103,0	18
20	111,0	111,0	106,0	106,0	102,0	102,0	99,3	99,3	96,1	96,1	93,0	93,0	20
22	98,2	98,2	96,4	96,4	92,7	92,7	90,0	90,0	87,1	87,1	84,4	84,4	22
24		85,6 ⁽¹¹⁾	87,0	87,0	84,7	84,7	82,2	82,2	79,5	79,5	77,0	77,0	24
26		74,6 ⁽¹¹⁾	78,4	78,4	77,2	77,2	75,5	75,5	73,0	73,0	70,7	70,7	26
28		66,3 ⁽¹¹⁾	71,2	71,2	70,1	70,1	69,3	69,3	67,3	67,3	65,2	65,2	28
30		58,7 ⁽¹¹⁾		62,9 ⁽¹¹⁾	64,1	64,1	63,3	63,3	62,2	62,2	60,4	60,4	30
32		53,0 ⁽¹¹⁾		55,9 ⁽¹¹⁾	58,8	58,8	58,1	58,1	57,0	57,0	56,0	56,0	32
34		47,2 ⁽¹¹⁾		50,4 ⁽¹¹⁾	54,3	54,3	53,6	53,6	52,6	52,6	51,6	51,6	34
36		41,7 ⁽⁹⁾		45,3 ⁽¹¹⁾		48,0 ⁽¹¹⁾	49,7	49,7	48,6	48,6	47,7	47,7	36
38		37,7 ⁽⁹⁾		41,1 ⁽¹¹⁾		43,3 ⁽¹¹⁾	46,2	46,2	45,2	45,2	44,2	44,2	38
40		33,7 ⁽⁹⁾		36,9 ⁽¹¹⁾		39,2 ⁽¹¹⁾	43,1	43,1	42,1	42,1	41,2	41,2	40
44		27,2 ⁽⁷⁾		29,8 ⁽⁹⁾		32,3 ⁽¹¹⁾		34,5 ⁽¹¹⁾	36,9	36,9	35,9	35,9	44
48				23,8 ⁽⁷⁾		25,8 ⁽⁹⁾		28,5 ⁽¹¹⁾		30,3 ⁽¹¹⁾	31,7	31,7	48
52						21,0 ⁽⁹⁾		23,4 ⁽¹¹⁾		25,1 ⁽¹¹⁾	28,2	28,2	52
56						16,7 ⁽⁷⁾		18,7 ⁽⁹⁾		20,7 ⁽¹¹⁾		22,2 ⁽¹¹⁾	56
60								14,6 ⁽⁷⁾		16,2 ⁽⁹⁾		18,2 ⁽¹¹⁾	60
64										12,9 ⁽⁹⁾		14,7 ⁽¹¹⁾	64
68										9,8 ⁽⁷⁾		11,3 ⁽⁹⁾	68
72												8,3 ⁽⁷⁾	72

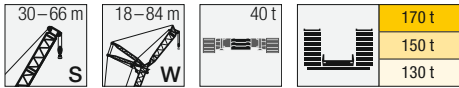
1) 12°; 2) 17°; 3) 22°; 4) 27°; 5) 32°; 6) 37°; 7) 42°; 8) 47°; 9) 52°; 10) 57°; 11) 62°

 m	S 36												 m
	W 54		W 60		W 66		W 72		W 78		W 84		
	87/85*	Wmax	87/85*	Wmax	87/85*	Wmax	87/85*	Wmax	87/85*	Wmax	87/85*	Wmax	
20	90,2	90,2	87,9	87,9									20
22	81,8	81,8	79,7	79,7	77,5	77,5							22
24	74,7	74,7	72,8	72,8	70,8	70,8	68,7	68,7					24
26	68,6	68,6	66,9	66,9	65,0	65,0	63,1	63,1	60,8	60,8	52,7	52,7	26
28	63,3	63,3	61,7	61,7	59,9	59,9	58,2	58,2	56,5	56,5	51,8	51,8	28
30	58,6	58,6	57,2	57,2	55,5	55,5	53,9	53,9	52,3	52,3	50,7	50,7	30
32	54,5	54,5	53,2	53,2	51,6	51,6	50,0	50,0	48,6	48,6	47,0	47,0	32
34	50,6	50,6	49,6	49,6	48,1	48,1	46,6	46,6	45,2	45,2	43,7	43,7	34
36	46,8	46,8	46,2	46,2	44,9	44,9	43,5	43,5	42,2	42,2	40,8	40,8	36
38	43,3	43,3	42,8	42,8	41,8	41,8	40,7	40,7	39,5	39,5	38,1	38,1	38
40	40,3	40,3	39,7	39,7	38,8	38,8	38,0	38,0	36,9	36,9	35,7	35,7	40
44	35,1	35,1	34,5	34,5	33,7	33,7	32,9	32,9	32,1	32,1	31,2	31,2	44
48	30,8	30,8	30,3	30,3	29,5	29,5	28,7	28,7	27,9	27,9	27,1	27,1	48
52	27,3	27,3	26,7	26,7	25,9	25,9	25,2	25,2	24,4	24,4	23,6	23,6	52
56	24,3	24,3	23,7	23,7	22,9	22,9	22,2	22,2	21,4	21,4	20,6	20,6	56
60		19,5 ⁽¹¹⁾	21,2	21,2	20,4	20,4	19,6	19,6	18,9	18,9	18,1	18,1	60
64		16,0 ⁽¹¹⁾	19,1	19,1	18,2	18,2	17,4	17,4	16,7	16,7	15,9	15,9	64
68		12,9 ⁽¹¹⁾		14,4 ⁽¹¹⁾	16,3	16,3	15,5	15,5	14,8	14,8	14,0	14,0	68
72		9,6 ⁽⁹⁾		11,6 ⁽¹¹⁾		12,5 ⁽¹¹⁾	13,9	13,9	13,1	13,1	12,3	12,3	72
76		7,5 ⁽⁹⁾		9,1 ⁽¹¹⁾		10,0 ⁽¹¹⁾	12,6	12,6	11,6	11,6	10,8	10,8	76
80		4,9 ⁽⁷⁾		6,6 ⁽⁹⁾		7,9 ⁽¹¹⁾		8,8 ⁽¹¹⁾	10,3	10,3	9,6	9,6	80
84				4,2 ⁽⁷⁾		5,4 ⁽⁹⁾		6,9 ⁽¹¹⁾		7,5 ⁽¹¹⁾	8,7	8,7	84
88						3,5 ⁽⁹⁾		5,1 ⁽¹¹⁾		5,8 ⁽¹¹⁾	7,9	7,9	88
92										4,0 ⁽¹¹⁾		4,9 ⁽¹¹⁾	92

1) 12°; 2) 17°; 3) 22°; 4) 27°; 5) 32°; 6) 37°; 7) 42°; 8) 47°; 9) 52°; 10) 57°; 11) 62°

SW

S 42



m	S 42												m
	W 18		W 24		W 30		W 36		W 42		W 48		
	87/85*	Wmax	87/85*	Wmax	87/85*	Wmax	87/85*	Wmax	87/85*	Wmax	87/85*	Wmax	
11	194,0	194,0											11
12	178,0	178,0	171,0	171,0									12
13	165,0	165,0	158,0	158,0 ⁽¹⁾	152,0	152,0							13
14	153,0	153,0	147,0	147,0	141,0	141,0							14
15	143,0	143,0	137,0	137,0 ⁽²⁾	132,0	132,0	128,0	128,0					15
16	134,0	134,0	129,0	129,0	124,0	124,0	120,0	120,0 ⁽¹⁾	116,0	116,0			16
17	126,0	126,0	121,0	121,0	117,0	117,0	113,0	113,0	109,0	109,0			17
18	119,0	119,0	115,0	115,0	110,0	110,0	107,0	107,0	103,0	103,0 ⁽¹⁾	100,0	100,0	18
20	107,0	107,0	103,0	103,0	99,2	99,2	96,3	96,3	93,1	93,1	90,2	90,2	20
22	97,2	97,2	93,4	93,4	90,0	90,0	87,4	87,4	84,6	84,6	81,9	81,9	22
24	84,9*	84,9	85,5	85,5	82,2	82,2	79,9	79,9	77,2	77,2	74,9	74,9	24
26		74,5 ⁽¹¹⁾	77,7	77,7	75,6	75,6	73,4	73,4	71,0	71,0	68,8	68,8	26
28		65,5 ⁽¹¹⁾	70,5	70,5	69,4	69,4	67,9	67,9	65,6	65,6	63,5	63,5	28
30		58,1 ⁽¹¹⁾	63,0*	63,0	63,4	63,4	62,7	62,7	60,8	60,8	58,9	58,9	30
32		51,8 ⁽¹¹⁾		55,6 ⁽¹¹⁾	58,3	58,3	57,6	57,6	56,5	56,5	54,8	54,8	32
34		46,8 ⁽¹¹⁾		49,8 ⁽¹¹⁾	53,8	53,8	53,1	53,1	52,1	52,1	51,1	51,1	34
36		41,7 ⁽¹¹⁾		44,7 ⁽¹¹⁾	48,6*	48,6	49,2	49,2	48,2	48,2	47,3	47,3	36
38		36,5 ⁽⁹⁾		40,2 ⁽¹¹⁾		42,8 ⁽¹¹⁾	45,8	45,8	44,8	44,8	43,8	43,8	38
40		33,0 ⁽⁹⁾		36,5 ⁽¹¹⁾		38,7 ⁽¹¹⁾	42,7	42,7	41,7	41,7	40,8	40,8	40
44		26,2 ⁽⁷⁾		28,7 ⁽⁹⁾		31,6 ⁽¹¹⁾		34,0 ⁽¹¹⁾	36,5	36,5	35,6	35,6	44
48		21,0 ⁽⁷⁾		23,4 ⁽⁹⁾		25,8 ⁽¹¹⁾		28,0 ⁽¹¹⁾	31,3*	31,3	31,4	31,4	48
52				18,5 ⁽⁷⁾		20,4 ⁽⁹⁾		23,0 ⁽¹¹⁾		24,7 ⁽¹¹⁾	27,9	27,9	52
56						15,8 ⁽⁷⁾		17,9 ⁽⁹⁾		20,2 ⁽¹¹⁾		21,8 ⁽¹¹⁾	56
60						12,4 ⁽⁷⁾		14,3 ⁽⁹⁾		16,2 ⁽¹¹⁾		17,8 ⁽¹¹⁾	60
64								10,8 ⁽⁷⁾		12,4 ⁽⁹⁾		14,3 ⁽¹¹⁾	64
68										9,0 ⁽⁷⁾		10,6 ⁽⁹⁾	68
72										6,7 ⁽⁷⁾		8,3 ⁽⁹⁾	72
76												5,6 ⁽⁷⁾	76

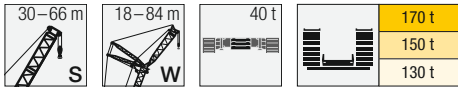
1) 12°; 2) 17°; 3) 22°; 4) 27°; 5) 32°; 6) 37°; 7) 42°; 8) 47°; 9) 52°; 10) 57°; 11) 62°

m	S 42												m
	W 54		W 60		W 66		W 72		W 78		W 84		
	87/85*	Wmax	87/85*	Wmax	87/85*	Wmax	87/85*	Wmax	87/85*	Wmax	87/85*	Wmax	
20	87,5	87,5											20
22	79,5	79,5	77,5	77,5	74,7	74,7							22
24	72,7	72,7	70,9	70,9	68,5	68,5	65,3	65,3					24
26	66,8	66,8	65,2	65,2	62,9	62,9	61,1	61,1	56,4	56,4			26
28	61,7	61,7	60,2	60,2	58,1	58,1	56,3	56,3	54,4	54,4	48,4	48,4	28
30	57,2	57,2	55,8	55,8	53,8	53,8	52,2	52,2	50,7	50,7	47,2	47,2	30
32	53,2	53,2	51,9	51,9	50,0	50,0	48,5	48,5	47,0	47,0	45,5	45,5	32
34	49,6	49,6	48,4	48,4	46,6	46,6	45,2	45,2	43,8	43,8	42,3	42,3	34
36	46,4	46,4	45,3	45,3	43,6	43,6	42,2	42,2	40,9	40,9	39,5	39,5	36
38	43,0	43,0	42,4	42,4	40,8	40,8	39,5	39,5	38,2	38,2	36,9	36,9	38
40	39,9	39,9	39,4	39,4	38,2	38,2	37,0	37,0	35,8	35,8	34,5	34,5	40
44	34,8	34,8	34,2	34,2	33,1	33,1	32,3	32,3	31,5	31,5	30,4	30,4	44
48	30,5	30,5	30,0	30,0	28,9	28,9	28,1	28,1	27,4	27,4	26,5	26,5	48
52	27,0	27,0	26,5	26,5	25,5	25,5	24,7	24,7	23,9	23,9	23,1	23,1	52
56	24,1	24,1	23,5	23,5	22,5	22,5	21,7	21,7	21,0	21,0	20,2	20,2	56
60	20,8*	20,8	21,0	21,0	20,0	20,0	19,2	19,2	18,5	18,5	17,7	17,7	60
64		15,7 ⁽¹¹⁾	18,9	18,9	17,8	17,8	17,0	17,0	16,3	16,3	15,5	15,5	64
68		12,6 ⁽¹¹⁾		14,0 ⁽¹¹⁾	15,9	15,9	15,2	15,2	14,4	14,4	13,6	13,6	68
72		9,8 ⁽¹¹⁾		11,1 ⁽¹¹⁾	13,6*	13,6	13,5	13,5	12,7	12,7	12,0	12,0	72
76		7,0 ⁽⁹⁾		8,8 ⁽¹¹⁾		9,6 ⁽¹¹⁾	12,2	12,2	11,3	11,3	10,5	10,5	76
80				6,1 ⁽⁹⁾		7,5 ⁽¹¹⁾		8,4 ⁽¹¹⁾	10,0	10,0	9,3	9,3	80
84				4,1 ⁽⁹⁾		5,5 ⁽¹¹⁾		6,5 ⁽¹¹⁾	8,6*	8,6	8,4	8,4	84
88								4,6 ⁽¹¹⁾		5,5 ⁽¹¹⁾	7,6	7,6	88
92												4,5 ⁽¹¹⁾	92

1) 12°; 2) 17°; 3) 22°; 4) 27°; 5) 32°; 6) 37°; 7) 42°; 8) 47°; 9) 52°; 10) 57°; 11) 62°

SW

S 48



m	S 48												m
	W 18		W 24		W 30		W 36		W 42		W 48		
	87/85*	Wmax	87/85*	Wmax	87/85*	Wmax	87/85*	Wmax	87/85*	Wmax	87/85*	Wmax	
11	185,0	185,0											11
12	170,0	170,0	164,0	164,0									12
13	158,0	158,0	152,0	152,0									13
14	147,0	147,0	141,0	141,0	136,0	136,0							14
15	137,0	137,0	132,0	132,0	127,0	127,0 ⁽¹⁾	123,0	123,0					15
16	129,0	129,0	124,0	124,0	120,0	120,0	116,0	116,0					16
17	121,0	121,0	117,0	117,0	113,0	113,0	109,0	109,0	106,0	106,0			17
18	114,0	114,0	111,0	111,0	107,0	107,0	104,0	104,0	100,0	100,0			18
20	103,0	103,0	99,6	99,6	96,0	96,0	93,4	93,4	90,3	90,3	87,5	87,5	20
22	93,9	93,9	90,5	90,5	87,2	87,2	84,8	84,8	82,1	82,1	79,6	79,6	22
24	83,3*	83,3	82,9	82,9	79,8	79,8	77,6	77,6	75,1	75,1	72,8	72,8	24
26		73,5 ⁽¹¹⁾	76,5	76,5	73,5	73,5	71,4	71,4	69,1	69,1	67,0	67,0	26
28		64,3 ⁽¹¹⁾	69,8	69,8	68,0	68,0	66,1	66,1	63,9	63,9	61,9	61,9	28
30		57,4 ⁽¹¹⁾	62,0*	62,0	62,8	62,8	61,4	61,4	59,3	59,3	57,4	57,4	30
32		50,7 ⁽¹¹⁾		55,3 ⁽¹¹⁾	57,6	57,6	57,0	57,0	55,3	55,3	53,5	53,5	32
34		45,5 ⁽¹¹⁾		48,9 ⁽¹¹⁾	53,2	53,2	52,6	52,6	51,6	51,6	50,0	50,0	34
36		41,1 ⁽¹¹⁾		44,2 ⁽¹¹⁾	47,8*	47,8	48,7	48,7	47,7	47,7	46,7	46,7	36
38		36,6 ⁽¹¹⁾		39,4 ⁽¹¹⁾		42,5 ⁽¹¹⁾	45,3	45,3	44,3	44,3	43,4	43,4	38
40		32,0 ⁽⁹⁾		35,7 ⁽¹¹⁾		38,1 ⁽¹¹⁾	42,2	42,2	41,3	41,3	40,4	40,4	40
44		25,7 ⁽⁹⁾		28,9 ⁽¹¹⁾		30,9 ⁽¹¹⁾		33,8 ⁽¹¹⁾	36,1	36,1	35,2	35,2	44
48		19,8 ⁽⁷⁾		22,7 ⁽⁹⁾		25,4 ⁽¹¹⁾		27,6 ⁽¹¹⁾	30,7*	30,7	31,0	31,0	48
52		15,7 ⁽⁷⁾		18,0 ⁽⁹⁾		19,6 ⁽⁹⁾		22,5 ⁽¹¹⁾		24,3 ⁽¹¹⁾	27,5	27,5	52
56				13,8 ⁽⁷⁾		15,6 ⁽⁹⁾		18,1 ⁽¹¹⁾		19,6 ⁽¹¹⁾		21,5 ⁽¹¹⁾	56
60						11,6 ⁽⁷⁾		13,8 ⁽⁹⁾		15,9 ⁽¹¹⁾		17,5 ⁽¹¹⁾	60
64						8,8 ⁽⁷⁾		10,6 ⁽⁹⁾		11,7 ⁽⁹⁾		14,0 ⁽¹¹⁾	64
68								7,5 ⁽⁷⁾		9,1 ⁽⁹⁾		10,9 ⁽¹¹⁾	68
72										6,3 ⁽⁷⁾		7,7 ⁽⁹⁾	72
76										3,9 ⁽⁷⁾		5,5 ⁽⁹⁾	76

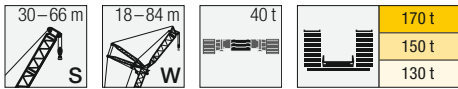
1) 12°; 2) 17°; 3) 22°; 4) 27°; 5) 32°; 6) 37°; 7) 42°; 8) 47°; 9) 52°; 10) 57°; 11) 62°

m	S 48												m
	W 54		W 60		W 66		W 72		W 78		W 84		
	87/85*	Wmax	87/85*	Wmax	87/85*	Wmax	87/85*	Wmax	87/85*	Wmax	87/85*	Wmax	
22	76,8	76,8	75,0	75,0									22
24	70,3	70,3	68,6	68,6	66,2	66,2	62,0	62,0					24
26	64,6	64,6	63,1	63,1	60,9	60,9	59,0	59,0	53,6	53,6			26
28	59,7	59,7	58,3	58,3	56,2	56,2	54,5	54,5	52,1	52,1	46,0	46,0	28
30	55,4	55,4	54,1	54,1	52,1	52,1	50,5	50,5	49,0	49,0	45,0	45,0	30
32	51,5	51,5	50,3	50,3	48,4	48,4	46,9	46,9	45,5	45,5	43,8	43,8	32
34	48,1	48,1	46,9	46,9	45,1	45,1	43,7	43,7	42,4	42,4	40,9	40,9	34
36	45,0	45,0	43,9	43,9	42,2	42,2	40,8	40,8	39,5	39,5	38,2	38,2	36
38	42,2	42,2	41,2	41,2	39,5	39,5	38,2	38,2	36,9	36,9	35,6	35,6	38
40	39,3	39,3	38,6	38,6	37,1	37,1	35,8	35,8	34,6	34,6	33,3	33,3	40
44	34,2	34,2	33,6	33,6	32,5	32,5	31,6	31,6	30,5	30,5	29,3	29,3	44
48	30,0	30,0	29,5	29,5	28,4	28,4	27,6	27,6	26,8	26,8	25,8	25,8	48
52	26,5	26,5	26,0	26,0	24,9	24,9	24,1	24,1	23,4	23,4	22,5	22,5	52
56	23,6	23,6	23,1	23,1	22,0	22,0	21,2	21,2	20,5	20,5	19,7	19,7	56
60	20,1*	20,1	20,5	20,5	19,5	19,5	18,7	18,7	18,0	18,0	17,2	17,2	60
64		15,2 ⁽¹¹⁾	18,4	18,4	17,3	17,3	16,6	16,6	15,8	15,8	15,0	15,0	64
68		11,9 ⁽¹¹⁾		13,5 ⁽¹¹⁾	15,5	15,5	14,7	14,7	14,0	14,0	13,2	13,2	68
72		10,4 ⁽¹¹⁾		10,7 ⁽¹¹⁾	13,1*	13,1	13,1	13,1	12,3	12,3	11,5	11,5	72
76		6,4 ⁽⁹⁾		8,3 ⁽¹¹⁾		9,1 ⁽¹¹⁾	11,7	11,7	10,9	10,9	10,1	10,1	76
80		4,3 ⁽⁹⁾		6,2 ⁽¹¹⁾		7,0 ⁽¹¹⁾		8,0 ⁽¹¹⁾	9,7	9,7	9,0	9,0	80
84						5,0 ⁽¹¹⁾		6,1 ⁽¹¹⁾	8,1*	8,1	8,1	8,1	84
88										5,0 ⁽¹¹⁾	7,3	7,3	88
92											4,0 ⁽¹¹⁾		92

1) 12°; 2) 17°; 3) 22°; 4) 27°; 5) 32°; 6) 37°; 7) 42°; 8) 47°; 9) 52°; 10) 57°; 11) 62°

SW

S 54



m	S 54												m
	W 18		W 24		W 30		W 36		W 42		W 48		
	87/85*	Wmax	87/85*	Wmax	87/85*	Wmax	87/85*	Wmax	87/85*	Wmax	87/85*	Wmax	
11	177,0	177,0											11
12	163,0	163,0											12
13	151,0	151,0	146,0	146,0									13
14	141,0	141,0	136,0	136,0	131,0	131,0							14
15	132,0	132,0	127,0	127,0	123,0	123,0							15
16	124,0	124,0	120,0	120,0	115,0	115,0	112,0	112,0					16
17	117,0	117,0	113,0	113,0	109,0	109,0	106,0	106,0					17
18	111,0	111,0	107,0	107,0	103,0	103,0	100,0	100,0	96,4	96,4			18
20	99,8	99,8	96,4	96,4	93,0	93,0	90,4	90,4	87,1	87,1	84,4	84,4	20
22	91,0	91,0	87,7	87,7	84,5	84,5	82,3	82,3	79,2	79,2	76,8	76,8	22
24	80,3*	80,5 ⁽¹¹⁾	80,4	80,4	77,5	77,5	75,4	75,4	72,6	72,6	70,4	70,4	24
26		72,2 ⁽¹¹⁾	74,2	74,2	71,4	71,4	69,4	69,4	66,8	66,8	64,8	64,8	26
28		64,0 ⁽¹¹⁾	69,0	69,0	66,1	66,1	64,3	64,3	61,8	61,8	59,9	59,9	28
30		56,6 ⁽¹¹⁾	61,1*	61,1	61,5	61,5	59,8	59,8	57,4	57,4	55,6	55,6	30
32		50,5 ⁽¹¹⁾		54,9 ⁽¹¹⁾	57,1	57,1	55,8	55,8	53,5	53,5	51,8	51,8	32
34		44,4 ⁽¹¹⁾		48,7 ⁽¹¹⁾	52,6	52,6	52,1	52,1	50,1	50,1	48,4	48,4	34
36		40,2 ⁽¹¹⁾		43,5 ⁽¹¹⁾	47,0*	47,0	48,2	48,2	47,0	47,0	45,4	45,4	36
38		36,2 ⁽¹¹⁾		39,1 ⁽¹¹⁾		42,2 ⁽¹¹⁾	44,8	44,8	43,6	43,6	42,6	42,6	38
40		32,2 ⁽¹¹⁾		34,6 ⁽¹¹⁾		37,7 ⁽¹¹⁾	41,8	41,8	40,6	40,6	39,8	39,8	40
44		24,7 ⁽⁹⁾		28,4 ⁽¹¹⁾		30,5 ⁽¹¹⁾		33,5 ⁽¹¹⁾	35,5	35,5	34,7	34,7	44
48		19,6 ⁽⁹⁾		22,2 ⁽¹¹⁾		24,7 ⁽¹¹⁾		27,2 ⁽¹¹⁾	30,0*	30,0	30,5	30,5	48
52		14,7 ⁽⁷⁾		17,3 ⁽⁹⁾		19,7 ⁽¹¹⁾		21,8 ⁽¹¹⁾		23,6 ⁽¹¹⁾	27,0	27,0	52
56		11,2 ⁽⁷⁾		13,1 ⁽⁹⁾		14,8 ⁽⁹⁾		17,6 ⁽¹¹⁾		19,1 ⁽¹¹⁾		21,0 ⁽¹¹⁾	56
60				9,7 ⁽⁷⁾		11,4 ⁽⁹⁾		13,5 ⁽¹¹⁾		15,2 ⁽¹¹⁾		16,9 ⁽¹¹⁾	60
64						8,0 ⁽⁷⁾		10,1 ⁽⁹⁾		11,8 ⁽¹¹⁾		13,2 ⁽¹¹⁾	64
68						5,4 ⁽⁷⁾		7,4 ⁽⁹⁾		8,2 ⁽⁹⁾		10,4 ⁽¹¹⁾	68
72										5,9 ⁽⁹⁾		7,6 ⁽¹¹⁾	72

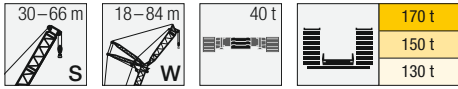
1) 12°; 2) 17°; 3) 22°; 4) 27°; 5) 32°; 6) 37°; 7) 42°; 8) 47°; 9) 52°; 10) 57°; 11) 62°

m	S 54												m
	W 54		W 60		W 66		W 72		W 78		W 84		
	87/85*	Wmax	87/85*	Wmax	87/85*	Wmax	87/85*	Wmax	87/85*	Wmax	87/85*	Wmax	
22	74,6	74,6											22
24	68,3	68,3	66,3	66,3	63,1	63,1							24
26	62,9	62,9	61,0	61,0	58,8	58,8	55,1	55,1					26
28	58,1	58,1	56,4	56,4	54,3	54,3	52,6	52,6	47,7	47,7			28
30	53,9	53,9	52,3	52,3	50,4	50,4	48,7	48,7	46,5	46,5	41,1	41,1	30
32	50,2	50,2	48,7	48,7	46,8	46,8	45,3	45,3	43,9	43,9	40,2	40,2	32
34	46,9	46,9	45,4	45,4	43,6	43,6	42,2	42,2	40,9	40,9	39,0	39,0	34
36	43,9	43,9	42,5	42,5	40,8	40,8	39,4	39,4	38,1	38,1	36,8	36,8	36
38	41,2	41,2	39,8	39,8	38,2	38,2	36,8	36,8	35,6	35,6	34,3	34,3	38
40	38,8	38,8	37,5	37,5	35,8	35,8	34,5	34,5	33,4	33,4	32,1	32,1	40
44	33,9	33,9	33,1	33,1	31,7	31,7	30,4	30,4	29,4	29,4	28,2	28,2	44
48	29,7	29,7	28,9	28,9	27,8	27,8	27,0	27,0	26,0	26,0	24,8	24,8	48
52	26,2	26,2	25,5	25,5	24,4	24,4	23,6	23,6	22,8	22,8	21,9	21,9	52
56	23,3	23,3	22,6	22,6	21,5	21,5	20,7	20,7	20,0	20,0	19,1	19,1	56
60	19,7*	19,7	20,1	20,1	19,0	19,0	18,3	18,3	17,5	17,5	16,7	16,7	60
64		14,8 ⁽¹¹⁾	18,0	18,0	16,9	16,9	16,1	16,1	15,4	15,4	14,6	14,6	64
68		11,6 ⁽¹¹⁾		13,1 ⁽¹¹⁾	15,1	15,1	14,3	14,3	13,5	13,5	12,8	12,8	68
72		8,9 ⁽¹¹⁾		10,3 ⁽¹¹⁾	12,5*	12,5	12,7	12,7	11,9	11,9	11,1	11,1	72
76		6,6 ⁽¹¹⁾		7,8 ⁽¹¹⁾		8,7 ⁽¹¹⁾	11,3	11,3	10,5	10,5	9,8	9,8	76
80				5,6 ⁽¹¹⁾		6,6 ⁽¹¹⁾		7,6 ⁽¹¹⁾	9,4	9,4	8,7	8,7	80
84				3,4 ⁽¹¹⁾				5,6 ⁽¹¹⁾	7,7*	7,7	7,8	7,8	84
88										4,5 ⁽¹¹⁾	7,0	7,0	88
92												2,7 ⁽¹⁰⁾	92

1) 12°; 2) 17°; 3) 22°; 4) 27°; 5) 32°; 6) 37°; 7) 42°; 8) 47°; 9) 52°; 10) 57°; 11) 62°

SW

S 60



m	S 60												m
	W 18		W 24		W 30		W 36		W 42		W 48		
	87/85*	Wmax	87/85*	Wmax	87/85*	Wmax	87/85*	Wmax	87/85*	Wmax	87/85*	Wmax	
11	169,0	169,0											11
12	156,0	156,0											12
13	145,0	145,0	140,0	140,0									13
14	135,0	135,0	131,0	131,0									14
15	127,0	127,0	123,0	123,0	118,0	118,0							15
16	119,0	119,0	115,0	115,0	111,0	111,0							16
17	113,0	113,0	109,0	109,0	105,0	105,0	102,0	102,0					17
18	107,0	107,0	103,0	103,0	99,6	99,6	96,4	96,4	93,2	93,2			18
20	96,3	96,3	93,2	93,2	90,0	90,0	87,1	87,1	84,3	84,3	81,3	81,3	20
22	87,9	87,9	85,0	85,0	81,9	81,9	79,4	79,4	76,9	76,9	74,1	74,1	22
24	77,2*	78,4 ⁽¹⁾	77,9	77,9	75,1	75,1	72,8	72,8	70,5	70,5	68,0	68,0	24
26		70,3 ⁽¹⁾	72,0	72,0	69,3	69,3	67,1	67,1	64,9	64,9	62,5	62,5	26
28		62,9 ⁽¹⁾	67,0	67,0	64,2	64,2	62,2	62,2	60,1	60,1	57,9	57,9	28
30		55,5 ⁽¹⁾	59,6*	59,8 ⁽¹⁾	59,8	59,8	57,9	57,9	55,9	55,9	53,7	53,7	30
32		49,6 ⁽¹⁾		54,0 ⁽¹⁾	56,0	56,0	54,0	54,0	52,1	52,1	50,1	50,1	32
34		44,1 ⁽¹⁾		48,3 ⁽¹⁾	52,0	52,0	50,6	50,6	48,8	48,8	46,8	46,8	34
36		38,7 ⁽¹⁾		42,6 ⁽¹⁾	46,3*	46,3	47,4	47,4	45,8	45,8	43,9	43,9	36
38		35,1 ⁽¹⁾		38,5 ⁽¹⁾		41,8 ⁽¹⁾	44,1	44,1	43,1	43,1	41,2	41,2	38
40		31,6 ⁽¹⁾		34,3 ⁽¹⁾		37,4 ⁽¹⁾	41,1	41,1	40,2	40,2	38,8	38,8	40
44		24,4 ⁽¹⁾		27,6 ⁽¹⁾		30,0 ⁽¹⁾		33,0 ⁽¹⁾	35,1	35,1	34,0	34,0	44
48		18,7 ⁽²⁾		22,0 ⁽¹⁾		23,8 ⁽¹⁾		26,4 ⁽¹⁾	29,4*	29,4	29,9	29,9	48
52		14,2 ⁽³⁾		16,3 ⁽³⁾		19,2 ⁽¹⁾		21,2 ⁽¹⁾		23,4 ⁽¹⁾	26,5	26,5	52
56		10,1 ⁽⁷⁾		12,7 ⁽³⁾		14,6 ⁽¹⁾		16,9 ⁽¹⁾		18,7 ⁽¹⁾		20,6 ⁽¹⁾	56
60		7,1 ⁽⁷⁾		9,1 ⁽³⁾		10,7 ⁽³⁾		13,1 ⁽¹⁾		14,6 ⁽¹⁾		16,3 ⁽¹⁾	60
64				6,1 ⁽⁷⁾		7,8 ⁽³⁾		9,0 ⁽³⁾		11,5 ⁽¹⁾		12,6 ⁽¹⁾	64
68				3,4 ⁽⁷⁾				6,5 ⁽³⁾		8,4 ⁽¹⁾		9,7 ⁽¹⁾	68
72								3,9 ⁽³⁾				7,1 ⁽¹⁾	72

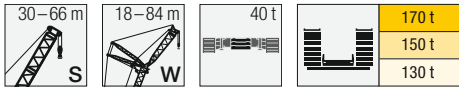
1) 12°; 2) 17°; 3) 22°; 4) 27°; 5) 32°; 6) 37°; 7) 42°; 8) 47°; 9) 52°; 10) 57°; 11) 62°

m	S 60												m
	W 54		W 60		W 66		W 72		W 78		W 84		
	87/85*	Wmax	87/85*	Wmax	87/85*	Wmax	87/85*	Wmax	87/85*	Wmax	87/85*	Wmax	
22	71,9	71,9											22
24	65,9	65,9	63,9	63,9									24
26	60,8	60,8	58,8	58,8	56,6	56,6	51,4	51,4					26
28	56,2	56,2	54,5	54,5	52,3	52,3	49,9	49,9	44,7	44,7			28
30	52,1	52,1	50,5	50,5	48,6	48,6	46,9	46,9	43,5	43,5	38,5	38,5	30
32	48,5	48,5	47,0	47,0	45,1	45,1	43,6	43,6	42,3	42,3	37,6	37,6	32
34	45,4	45,4	43,9	43,9	42,1	42,1	40,6	40,6	39,4	39,4	36,7	36,7	34
36	42,5	42,5	41,0	41,0	39,3	39,3	37,9	37,9	36,7	36,7	35,3	35,3	36
38	39,8	39,8	38,5	38,5	36,8	36,8	35,4	35,4	34,3	34,3	33,0	33,0	38
40	37,5	37,5	36,1	36,1	34,5	34,5	33,2	33,2	32,1	32,1	30,8	30,8	40
44	33,2	33,2	32,1	32,1	30,5	30,5	29,3	29,3	28,3	28,3	27,0	27,0	44
48	29,1	29,1	28,3	28,3	27,1	27,1	26,0	26,0	24,9	24,9	23,8	23,8	48
52	25,7	25,7	24,9	24,9	23,8	23,8	23,0	23,0	22,1	22,1	21,0	21,0	52
56	22,8	22,8	22,0	22,0	21,0	21,0	20,1	20,1	19,4	19,4	18,6	18,6	56
60	19,0*	19,0	19,6	19,6	18,5	18,5	17,7	17,7	17,0	17,0	16,2	16,2	60
64		14,3 ⁽¹⁾	17,5	17,5	16,4	16,4	15,6	15,6	14,9	14,9	14,1	14,1	64
68		11,2 ⁽¹⁾		12,7 ⁽¹⁾	14,6	14,6	13,8	13,8	13,1	13,1	12,3	12,3	68
72		8,3 ⁽¹⁾		9,7 ⁽¹⁾	11,9*	11,9	12,2	12,2	11,5	11,5	10,7	10,7	72
76		5,8 ⁽¹⁾		5,6 ⁽³⁾		8,2 ⁽¹⁾	10,9	10,9	10,1	10,1	9,4	9,4	76
80						6,0 ⁽¹⁾		7,2 ⁽¹⁾	9,0	9,0	8,3	8,3	80
84								5,0 ⁽¹⁾	7,3*	7,3	7,4	7,4	84
88										4,0 ⁽¹⁾	6,6	6,6	88

1) 12°; 2) 17°; 3) 22°; 4) 27°; 5) 32°; 6) 37°; 7) 42°; 8) 47°; 9) 52°; 10) 57°; 11) 62°

SW

S 66

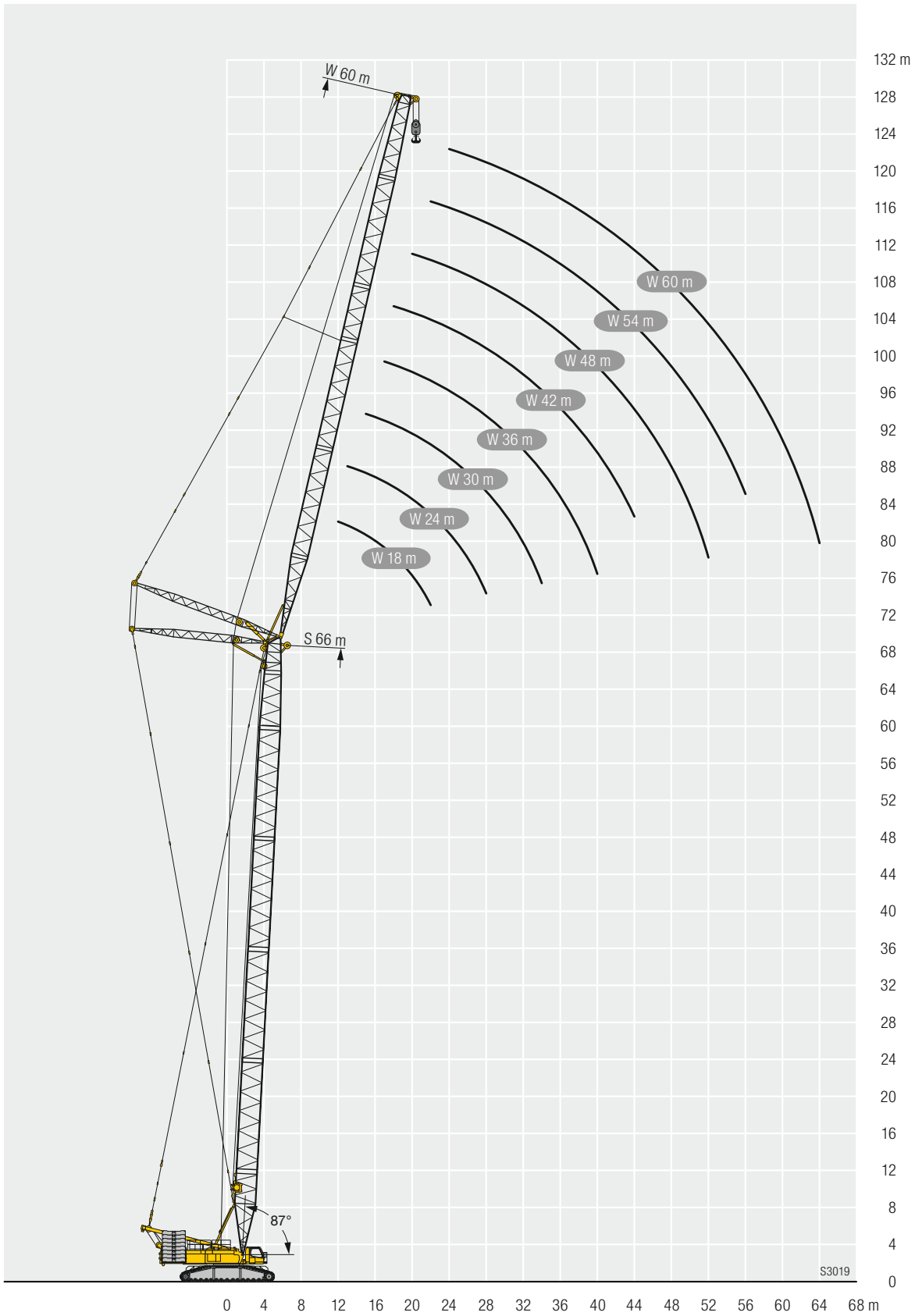


m	S 66																m
	W 18		W 24		W 30		W 36		W 42		W 48		W 54		W 60		
	87/85*	Wmax	87/85*	Wmax	87/85*	Wmax	87/85*	Wmax	87/85*	Wmax	87/85*	Wmax	87/85*	Wmax	87/85*	Wmax	
12	148,0	148,0															12
13	139,0	139,0	129,0	129,0													13
14	130,0	130,0	125,0	125,0													14
15	122,0	122,0	118,0	118,0	111,0	111,0											15
16	115,0	115,0	111,0	111,0	107,0	107,0											16
17	109,0	109,0	105,0	105,0	102,0	102,0	95,8	95,8									17
18	103,0	103,0	99,7	99,7	96,3	96,3	93,2	93,2	85,5	85,5							18
20	93,5	93,5	90,3	90,3	87,1	87,1	84,5	84,5	81,3	81,3	74,9	74,9					20
22	85,4	85,4	82,3	82,3	79,5	79,5	77,1	77,1	74,2	74,2	71,5	71,5	65,9	65,9			22
24	74,7*	76,7 ⁽¹¹⁾	75,7	75,7	73,0	73,0	70,7	70,7	68,0	68,0	65,6	65,6	63,2	63,2	57,9	57,9	24
26	69,3*	69,3	69,9	69,9	67,3	67,3	65,3	65,3	62,8	62,8	60,4	60,4	58,7	58,7	55,8	55,8	26
28		61,6 ⁽¹¹⁾	65,0	65,0	62,5	62,5	60,5	60,5	58,1	58,1	55,9	55,9	54,3	54,3	52,5	52,5	28
30		54,7 ⁽¹¹⁾	57,6*	58,5 ⁽¹¹⁾	58,2	58,2	56,3	56,3	54,0	54,0	51,9	51,9	50,4	50,4	48,8	48,8	30
32		48,5 ⁽¹¹⁾	54,2*	54,2	54,5	54,5	52,6	52,6	50,4	50,4	48,4	48,4	46,9	46,9	45,4	45,4	32
34		43,5 ⁽¹¹⁾		47,6 ⁽¹¹⁾	51,2	51,2	49,4	49,4	47,2	47,2	45,2	45,2	43,8	43,8	42,3	42,3	34
36		38,6 ⁽¹¹⁾		42,4 ⁽¹¹⁾	45,5*	45,6 ⁽¹¹⁾	46,4	46,4	44,3	44,3	42,4	42,4	41,0	41,0	39,6	39,6	36
38		34,2 ⁽¹¹⁾		37,8 ⁽¹¹⁾	42,2*	42,2	43,6	43,6	41,7	41,7	39,8	39,8	38,5	38,5	37,1	37,1	38
40		31,0 ⁽¹¹⁾		34,0 ⁽¹¹⁾		37,2 ⁽¹¹⁾	40,6	40,6	39,4	39,4	37,5	37,5	36,2	36,2	34,9	34,9	40
44		24,5 ⁽¹⁰⁾		26,7 ⁽¹¹⁾		29,5 ⁽¹¹⁾	33,7*	33,7	34,5	34,5	33,3	33,3	32,2	32,2	30,9	30,9	44
48		18,0 ⁽⁹⁾		21,6 ⁽¹¹⁾		23,4 ⁽¹¹⁾		26,1 ⁽¹¹⁾	28,6*	28,6	29,3	29,3	28,5	28,5	27,6	27,6	48
52		14,0 ⁽⁹⁾		16,4 ⁽¹¹⁾		18,7 ⁽¹¹⁾		20,9 ⁽¹¹⁾		23,0 ⁽¹¹⁾	25,9	25,9	25,1	25,1	24,3	24,3	52
56		10,2 ⁽⁸⁾		12,0 ⁽⁹⁾		14,4 ⁽¹¹⁾		16,4 ⁽¹¹⁾		18,2 ⁽¹¹⁾	21,5*	21,5	22,3	22,3	21,5	21,5	56
60				8,8 ⁽⁹⁾		9,8 ⁽⁹⁾		12,9 ⁽¹¹⁾		14,0 ⁽¹¹⁾		15,7 ⁽¹¹⁾	18,4*	18,4	19,1	19,1	60
64						7,1 ⁽⁹⁾		9,4 ⁽¹¹⁾		10,8 ⁽¹¹⁾		12,1 ⁽¹¹⁾		13,9 ⁽¹¹⁾	17,0	17,0	64
68						4,3 ⁽⁹⁾				7,8 ⁽¹¹⁾		8,9 ⁽¹¹⁾		10,7 ⁽¹¹⁾	13,9*	13,9	68
72												6,3 ⁽¹¹⁾		4,7 ⁽⁶⁾		9,2 ⁽¹¹⁾	72
76																6,9 ⁽¹¹⁾	76

1) 12°; 2) 17°; 3) 22°; 4) 27°; 5) 32°; 6) 37°; 7) 42°; 8) 47°; 9) 52°; 10) 57°; 11) 62°

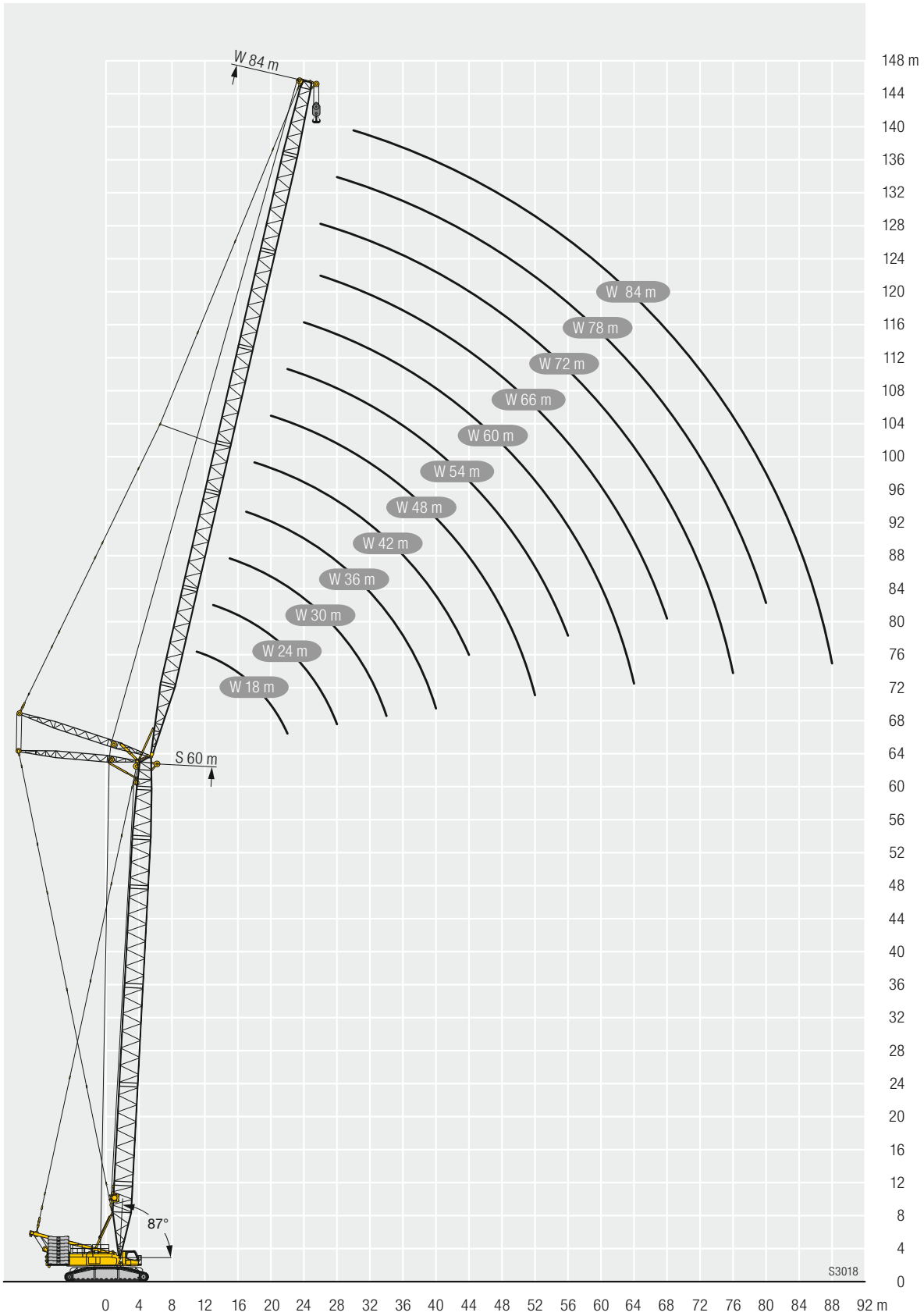
Lifting heights

SW



Lifting heights

SW





SDWB

S 36

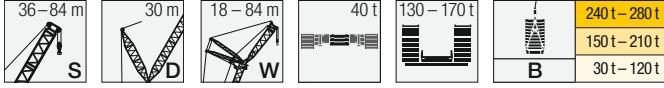
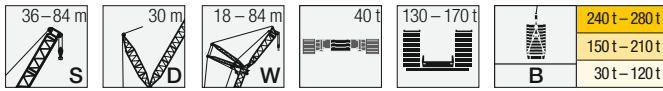


Table with columns for height (m), crane type (B), and load capacity (W). The load capacity section is divided into sub-columns for different crane models (W 18, W 24, W 30, W 36, W 42, W 48, W 54, W 60, W 66, W 72, W 78, W 84). Each sub-column contains two values: a base value and a Wmax value.

1) 12°; 2) 17°; 3) 22°; 4) 27°; 5) 32°; 6) 37°; 7) 42°; 8) 47°; 9) 52°; 10) 57°; 11) 62°

SDWB

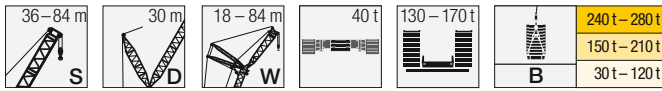
S 42



		S 42																								
m	B	W 18		W 24		W 30		W 36		W 42		W 48		W 54		W 60		W 66		W 72		W 78		W 84		
		85	Wmax	87°/85	Wmax	87°/85	Wmax	87°/85	Wmax	87°/85	Wmax	87°/85	Wmax	87°/85	Wmax	87°/85	Wmax	87°/85	Wmax	87°/85	Wmax	87°/85	Wmax	87°/85	Wmax	
12	-			163,0*	163,0*																					
12	B			206,0*	206,0*																					
14	-	142,0	142,0	140,0*	140,0*	134,0*	134,0*																			
14	B	250,0	250,0 ¹⁾	206,0	206,0 ¹⁾	203,0*	203,0*																			
16	-	124,0	125,0 ⁹⁾	123,0*	123,0*	118,0*	118,0*	114,0*	114,0 ¹⁾	110,0*	110,0*															
16	B	238,0	250,0 ¹⁾	206,0	206,0 ¹⁾	206,0	206,0 ¹⁾	167,0*	168,0 ¹⁾	154,0*	154,0*															
18	-	110,0	112,0 ⁹⁾	109,0*	109,0*	105,0*	105,0*	101,0*	101,0*	98,0*	98,0*	94,8*	94,8*													
18	B	223,0	247,0 ¹⁾	206,0	206,0 ¹⁾	197,0	205,0 ¹⁾	169,0	169,0 ¹⁾	151,0*	154,0 ¹⁾	132,0*	132,0*													
20	-	98,6	98,6 ⁹⁾	98,0*	98,0*	94,0*	94,0*	91,2*	91,2*	88,1*	88,1*	85,3*	85,3*	82,7*	82,7*											
20	B	207,0	239,0 ¹⁾	200,0	206,0 ¹⁾	187,0	205,0 ¹⁾	168,0	170,0 ¹⁾	153,0	154,0 ¹⁾	130,0*	132,0 ¹⁾	113,0*	113,0*											
22	-	89,5	90,3 ¹⁰⁾	88,8*	88,8*	85,2*	85,2*	82,7*	82,7*	79,9*	79,9*	77,3*	77,3*	75,0*	75,0*	73,1*	73,1*	70,9*	70,9*							
22	B	182,0	228,0 ¹⁾	188,0	206,0 ¹⁾	176,0	204,0 ¹⁾	163,0	170,0 ¹⁾	150,0	153,0 ¹⁾	132,0	132,0 ¹⁾	112,0*	113,0 ¹⁾	96,1*	96,1*	81,6*	81,6*							
24	-	80,8	80,6 ¹¹⁾	81,2*	81,2*	77,8*	77,8*	75,5*	75,5*	72,9*	72,9*	70,6*	70,6*	68,4*	68,4*	66,7*	66,7*	64,8*	64,8*	62,8*	62,8*					
24	B	133,0	220,0 ¹⁾	175,0	206,0 ¹⁾	166,0	201,0 ¹⁾	156,0	171,0 ¹⁾	144,0	152,0 ¹⁾	130,0	131,0 ¹⁾	113,0	113,0 ¹⁾	96,8	96,8	80,8*	80,8*	70,7*	70,7*					
26	-		70,7 ¹¹⁾	74,1*	74,1*	71,5*	71,5*	69,4*	69,4*	67,0*	67,0*	64,9*	64,9*	62,8*	62,8*	61,3*	61,3*	59,4*	59,4*	57,7*	57,7*	56,0*	56,0*	50,1*	50,1*	
26	B		210,0 ¹⁾	159,0	203,0 ¹⁾	154,0	197,0 ¹⁾	147,0	170,0 ¹⁾	138,0	152,0 ¹⁾	126,0	130,0 ¹⁾	112,0	112,0 ¹⁾	96,3	96,3	81,1	81,1	69,4*	69,4*	59,3*	59,3*	50,2*	50,2*	
28	-		61,9 ¹¹⁾	67,2*	67,2*	65,9*	65,9*	64,1*	64,1*	61,8*	61,8*	59,8*	59,8*	58,0*	58,0*	56,5*	56,5*	54,8*	54,8*	53,1*	53,1*	51,6*	51,6*	49,0*	49,0*	
28	B		197,0 ¹⁾	143,0	197,0 ¹⁾	140,0	193,0 ¹⁾	138,0	169,0 ¹⁾	130,0	150,0 ¹⁾	121,0	129,0 ¹⁾	109,0	111,0 ¹⁾	95,4	95,4 ¹¹⁾	80,1	80,4 ¹⁾	69,2	69,2	58,5*	58,8 ¹⁾	49,3*	49,3*	
30	-		54,8 ¹¹⁾	59,9	59,9	60,2*	60,2*	59,4*	59,4*	57,3*	57,3*	55,4*	55,4*	53,7*	53,7*	52,3*	52,3*	50,7*	50,7*	49,1*	49,1*	47,7*	47,7*	46,1*	46,1*	
30	B		185,0 ¹⁾	112,0	185,0 ¹⁾	130,0	183,0 ¹⁾	128,0	168,0 ¹⁾	124,0	148,0 ¹⁾	116,0	128,0 ¹⁾	105,0	110,0 ¹⁾	94,4	94,7 ¹⁾	79,2	79,7 ¹⁾	67,8	68,2 ¹⁾	58,3	58,3 ¹⁾	48,5*	48,9 ¹⁾	
32	-		48,6 ¹¹⁾		52,7 ¹¹⁾	55,2*	55,2*	54,5*	54,5*	53,3*	53,3*	51,5*	51,5*	49,8*	49,8*	48,6*	48,6*	47,1*	47,1*	45,6*	45,6*	44,2*	44,2*	42,7*	42,7*	
32	B		172,0 ¹⁾		174,0 ¹⁾	118,0	172,0 ¹⁾	117,0	163,0 ¹⁾	116,0	147,0 ¹⁾	111,0	127,0 ¹⁾	101,0	108,0 ¹⁾	93,3	94,3 ¹⁾	78,3	79,0 ¹⁾	66,6	67,3 ¹⁾	57,7	57,8 ¹⁾	48,4	48,4 ¹⁾	
34	-		43,8 ¹¹⁾		47,0 ¹¹⁾	51,0*	51,0*	50,3*	50,3*	49,2*	49,2*	48,0*	48,0*	46,4*	46,4*	45,3*	45,3*	43,9*	43,9*	42,5*	42,5*	41,1*	41,1*	39,7*	39,7*	
34	B		160,0 ¹⁾		163,0 ¹⁾	108,0	161,0 ¹⁾	108,0	155,0 ¹⁾	107,0	144,0 ¹⁾	106,0	125,0 ¹⁾	97,0	106,0 ¹⁾	91,6	93,9 ¹⁾	77,6	78,3 ¹⁾	65,3	66,3 ¹⁾	57,2	57,3 ¹⁾	47,9	48,0 ¹⁾	
36	-		38,9 ¹¹⁾		42,1 ¹¹⁾	45,9	45,9	46,5*	46,5*	45,5*	45,5*	44,5*	44,5*	43,4*	43,4*	42,3*	42,3*	41,0*	41,0*	39,6*	39,6*	38,3*	38,3*	37,0*	37,0*	
36	B		150,0 ¹⁾		153,0 ¹⁾	85,7	152,0 ¹⁾	101,0	147,0 ¹⁾	99,0	138,0 ¹⁾	98,3	124,0 ¹⁾	93,0	104,0 ¹⁾	89,2	93,6 ¹⁾	77,0	77,8 ¹⁾	64,2	65,4 ¹⁾	56,8	56,8 ¹⁾	47,5	47,5 ¹⁾	
38	-		33,8 ⁹⁾		37,8 ¹¹⁾		40,3 ¹¹⁾	43,2*	43,2*	42,2*	42,2*	41,3*	41,3*	40,4*	40,4*	39,6*	39,6*	38,3*	38,3*	37,0*	37,0*	35,8*	35,8*	34,5*	34,5*	
38	B		141,0 ¹⁾		143,0 ¹⁾		142,0 ¹⁾	93,8	140,0 ¹⁾	92,0	133,0 ¹⁾	91,4	121,0 ¹⁾	88,9	102,0 ¹⁾	86,6	93,4 ¹⁾	76,3	77,6 ¹⁾	62,9	64,5 ¹⁾	56,4	56,5 ¹⁾	47,0	47,1 ¹⁾	
40	-		30,4 ⁹⁾		34,1 ¹¹⁾		36,2 ¹¹⁾	40,3*	40,3*	39,3*	39,3*	38,3*	38,3*	37,5*	37,5*	36,9*	36,9*	35,9*	35,9*	34,6*	34,6*	33,5*	33,5*	32,2*	32,2*	
40	B		133,0 ¹⁾		134,0 ¹⁾		133,0 ¹⁾	86,8	132,0 ¹⁾	87,0	127,0 ¹⁾	85,2	117,0 ¹⁾	84,4	100,0 ¹⁾	83,4	91,8 ¹⁾	75,5	77,4 ¹⁾	61,6	63,5 ¹⁾	55,9	56,2 ¹⁾	46,5	46,6 ¹⁾	
44	-		23,8 ⁹⁾		26,5 ⁹⁾		29,3 ¹¹⁾		31,8 ¹¹⁾	34,3*	34,3*	33,4*	33,4*	32,5*	32,5*	32,0*	32,0*	31,2*	31,2*	30,3*	30,3*	29,4*	29,4*	28,2*	28,2*	
44	B		117,0 ¹⁾		120,0 ¹⁾		119,0 ¹⁾		118,0 ¹⁾	76,3	116,0 ¹⁾	76,5	110,0 ¹⁾	74,3	95,4 ¹⁾	74,2	88,8 ¹⁾	72,6	76,2 ¹⁾	58,9	62,0 ¹⁾	54,7	55,6 ¹⁾	45,6	46,0 ¹⁾	
48	-		18,8 ⁹⁾		21,4 ⁹⁾		23,7 ¹¹⁾		25,9 ¹¹⁾	29,3	29,3	29,3*	29,3*	28,5*	28,5*	27,9*	27,9*	27,1*	27,1*	26,3*	26,3*	25,6*	25,6*	24,7*	24,7*	
48	B		102,0 ¹⁾		107,0 ¹⁾		108,0 ¹⁾		107,0 ¹⁾	60,1	106,0 ¹⁾	67,2	102,0 ¹⁾	65,5	90,8 ¹⁾	65,6	84,7 ¹⁾	65,4	74,9 ¹⁾	56,1	60,2 ¹⁾	53,3	54,7 ¹⁾	44,8	45,4 ¹⁾	
52	-				16,5 ⁹⁾		18,4 ⁹⁾		21,1 ¹¹⁾		22,8 ¹¹⁾	26,1*	26,1*	25,1*	25,1*	24,6*	24,6*	23,8*	23,8*	23,0*	23,0*	22,3*	22,3*	21,4*	21,4*	
52	B				94,5 ¹⁾		97,9 ¹⁾		97,2 ¹⁾		96,3 ¹⁾	58,5	94,9 ¹⁾	59,8	86,3 ¹⁾	58,4	80,4 ¹⁾	58,2	72,0 ¹⁾	53,0	58,4 ¹⁾	51,8	54,0 ¹⁾	44,0	44,8 ¹⁾	
56	-						13,9 ⁹⁾		16,1 ⁹⁾		18,4 ¹¹⁾		20,0 ¹¹⁾	22,3*	22,3*	21,8*	21,8*	21,0*	21,0*	20,2*	20,2*	19,5*	19,5*	18,7*	18,7*	
56	B						87,0 ¹⁾		88,1 ¹⁾		87,7 ¹⁾		87,1 ¹⁾	53,1	81,3 ¹⁾	53,7	76,9 ¹⁾	52,0	68,6 ¹⁾	49,8	56,4 ¹⁾	49,7	52,9 ¹⁾	43,3	44,4 ¹⁾	
60	-						10,7 ⁹⁾		12,6 ⁹⁾		14,5 ¹¹⁾		16,1 ¹¹⁾	19,2	19,2	19,4*	19,4*	18,5*	18,5*	17,8*	17,8*	17,0*	17,0*	16,3*	16,3*	
60	B						76,3 ¹⁾		80,0 ¹⁾		79,7 ¹⁾		79,2 ¹⁾	40,7	76,0 ¹⁾	48,1	72,8 ¹⁾	48,1	66,5 ¹⁾	46,2	54,4 ¹⁾	46,1	51,8 ¹⁾	42,6	43,8 ¹⁾	
64	-						9,2 ⁹⁾		10,9 ⁹⁾		12,8 ¹¹⁾		14,1 ¹¹⁾	17,4*	17,4*	17,4*	17,4*	16,5*	16,5*	15,7*	15,7*	15,0*	15,0*	14,2*	14,2*	
64	B						72,7 ¹⁾		73,4 ¹⁾		73,4 ¹⁾		71,6 ¹⁾		70,6 ¹⁾	42,6	68,5 ¹⁾	43,4	63,4 ¹⁾	42,8	52,3 ¹⁾	41,6	49,9 ¹⁾	41,0	43,2 ¹⁾	
68	-								7,7 ⁹⁾		9,2 ⁹⁾		11,1 ¹¹⁾		12,6 ¹¹⁾	14,7*	14,7*	13,9*	13,9*	13,1*	13,1*	13,1*	13,1*	12,4*	12,4*	
68	B								67,5 ¹⁾		66,2 ¹⁾		65,3 ¹⁾		64,1 ¹⁾	39,1	64,1 ¹⁾	39,1	59,9 ¹⁾	39,1	50,2 ¹⁾	38,2	47,6 ¹⁾	37,1	42,3 ¹⁾	
72	-								5,5 ⁹⁾		7,0 ⁹⁾		8,5 ¹¹⁾		9,8 ¹¹⁾	12,5	12,5	12,3*	12,3*	11,6*	11,6*	11,6*	11,6*	10,8*	10,8*	
72	B								59,9 ¹⁾		59,9 ¹⁾		60,3 ¹⁾		60,3 ¹⁾	30,6	59,7 ¹⁾	30,6	56,4 ¹⁾	35,4	48,2 ¹⁾	35,3	46,0 ¹⁾	34,0	41,0 ¹⁾	
76	-												4,4 ⁹⁾		5,8 ⁹⁾		7,6 ¹¹⁾		8,6 ¹¹⁾	11,0*	11,0*	10,2*	10,2*	9,5*	9,5*	
76	B												54,7 ¹⁾		54,6 ¹⁾		54,7 ¹⁾		52,9 ¹⁾	31,6	46,3 ¹⁾	32,0	44,2 ¹⁾	31,7	39,1 ¹⁾	
80	-																		6,5 ¹¹⁾	7,4 ¹¹⁾	9,1*	9,1*				

SDWB

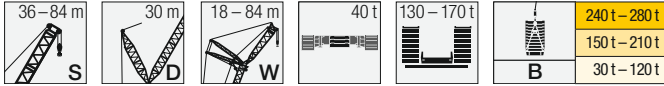
S 48



m	S 48																								
	W 18		W 24		W 30		W 36		W 42		W 48		W 54		W 60		W 66		W 72		W 78		W 84		
	85	Wmax	87°/85	Wmax	87°/85	Wmax	87°/85	Wmax	87°/85	Wmax	87°/85	Wmax	87°/85	Wmax	87°/85	Wmax	87°/85	Wmax	87°/85	Wmax	87°/85	Wmax	87°/85	Wmax	
12	-	-	156,0*	156,0*	-	-	-	-	-	-	-	-	-	-	-	-	-	-	-	-	-	-	-	-	-
12	B	-	201,0*	201,0*	-	-	-	-	-	-	-	-	-	-	-	-	-	-	-	-	-	-	-	-	-
14	-	136,0	136,0	135,0*	135,0*	129,0*	129,0*	-	-	-	-	-	-	-	-	-	-	-	-	-	-	-	-	-	-
14	B	250,0	250,0 ⁹⁾	198,0*	202,0 ⁹⁾	190,0*	190,0*	-	-	-	-	-	-	-	-	-	-	-	-	-	-	-	-	-	-
16	-	119,0	121,0 ⁸⁾	118,0*	118,0*	114,0*	114,0*	110,0*	110,0*	-	-	-	-	-	-	-	-	-	-	-	-	-	-	-	-
16	B	237,0	250,0 ⁹⁾	201,0	203,0 ⁹⁾	190,0	190,0 ¹⁰⁾	157,0*	157,0*	-	-	-	-	-	-	-	-	-	-	-	-	-	-	-	-
18	-	105,0	106,0 ⁹⁾	105,0*	105,0*	101,0*	101,0*	98,3*	98,3*	95,0*	95,0*	91,9*	91,9*	-	-	-	-	-	-	-	-	-	-	-	-
18	B	222,0	250,0 ⁹⁾	199,0	204,0 ⁹⁾	188,0	190,0 ¹⁰⁾	157,0	157,0 ¹⁰⁾	140,0*	140,0*	123,0*	123,0*	-	-	-	-	-	-	-	-	-	-	-	-
20	-	94,7	95,7 ⁷⁾	94,7*	94,7*	91,2*	91,2*	88,6*	88,6*	85,6*	85,6*	82,8*	82,8*	80,3*	80,3*	-	-	-	-	-	-	-	-	-	-
20	B	206,0	244,0 ⁸⁾	193,0	205,0 ⁹⁾	179,0	190,0 ¹⁰⁾	157,0	157,0 ¹⁰⁾	140,0	140,0 ¹⁰⁾	122,0*	123,0 ¹⁰⁾	106,0*	106,0*	-	-	-	-	-	-	-	-	-	-
22	-	86,0	86,6 ⁹⁾	86,0*	86,0*	82,8*	82,8*	80,4*	80,4*	77,7*	77,7*	75,2*	75,2*	73,0*	73,0*	71,2*	71,2*	68,6*	68,6*	-	-	-	-	-	-
22	B	187,0	233,0 ⁸⁾	183,0	205,0 ⁹⁾	170,0	190,0 ¹⁰⁾	155,0	157,0 ¹⁰⁾	140,0	140,0 ¹⁰⁾	123,0	123,0 ¹⁰⁾	106,0*	106,0 ¹⁰⁾	89,0*	89,0*	78,0*	78,0*	-	-	-	-	-	-
24	-	79,0	78,4 ¹¹⁾	78,7*	78,7*	75,6*	75,6*	73,5*	73,5*	71,0*	71,0*	68,8*	68,8*	66,7*	66,7*	65,1*	65,1*	62,7*	62,7*	60,8*	60,8*	-	-	-	-
24	B	146,0	221,0 ⁸⁾	173,0	205,0 ⁹⁾	162,0	189,0 ⁹⁾	151,0	157,0 ¹⁰⁾	138,0	140,0 ¹⁰⁾	123,0	123,0 ¹⁰⁾	106,0	106,0 ¹⁰⁾	89,0*	89,0 ¹⁰⁾	77,4*	77,4*	67,7*	67,7*	-	-	-	-
26	-	69,7 ¹¹⁾	69,7 ¹¹⁾	72,6*	72,6*	69,6*	69,6*	67,6*	67,6*	65,3*	65,3*	63,2*	63,2*	61,3*	61,3*	59,8*	59,8*	57,6*	57,6*	55,8*	55,8*	54,2*	54,2*	-	-
26	B	209,0 ⁸⁾	209,0 ⁸⁾	163,0	202,0 ⁹⁾	154,0	186,0 ⁹⁾	143,0	157,0 ¹⁰⁾	133,0	140,0 ¹⁰⁾	120,0	122,0 ¹⁰⁾	106,0	106,0 ¹⁰⁾	89,0	89,0 ¹⁰⁾	77,7	77,7	66,4*	66,4*	56,9*	56,9*	-	-
28	-	60,9 ¹¹⁾	60,9 ¹¹⁾	66,5*	66,5*	64,4*	64,4*	62,4*	62,4*	60,3*	60,3*	58,4*	58,4*	56,5*	56,5*	55,2*	55,2*	53,1*	53,1*	51,5*	51,5*	49,9*	49,9*	47,2*	47,2*
28	B	197,0 ⁸⁾	197,0 ⁸⁾	149,0	194,0 ⁹⁾	146,0	182,0 ⁹⁾	136,0	157,0 ¹⁰⁾	127,0	140,0 ¹⁰⁾	117,0	122,0 ¹⁰⁾	104,0	105,0 ¹⁰⁾	89,0	89,0 ¹⁰⁾	76,9	77,0 ¹⁰⁾	66,4	66,4	56,1*	56,5 ¹⁰⁾	47,5*	47,5*
30	-	54,2 ¹¹⁾	54,2 ¹¹⁾	59,0	59,0	59,7*	59,7*	58,0*	58,0*	55,9*	55,9*	54,1*	54,1*	52,4*	52,4*	51,2*	51,2*	49,2*	49,2*	47,6*	47,6*	46,2*	46,2*	44,6*	44,6*
30	B	184,0 ⁸⁾	184,0 ⁸⁾	121,0	183,0 ⁹⁾	136,0	178,0 ⁹⁾	130,0	157,0 ¹⁰⁾	121,0	139,0 ⁹⁾	113,0	121,0 ¹⁰⁾	101,0	104,0 ¹⁰⁾	88,9	89,0 ¹⁰⁾	75,9	76,4 ¹⁰⁾	65,1	65,4 ¹⁰⁾	56,1	56,1 ¹⁰⁾	46,8*	47,1 ¹⁰⁾
32	-	47,8 ¹¹⁾	47,8 ¹¹⁾	52,4 ¹¹⁾	52,4 ¹¹⁾	54,8*	54,8*	54,0*	54,0*	52,1*	52,1*	50,3*	50,3*	48,7*	48,7*	47,5*	47,5*	45,7*	45,7*	44,2*	44,2*	42,8*	42,8*	41,3*	41,3*
32	B	172,0 ⁸⁾	172,0 ⁸⁾	128,0	172,0 ⁹⁾	128,0	168,0 ⁹⁾	124,0	157,0 ¹⁰⁾	116,0	139,0 ⁹⁾	109,0	120,0 ¹⁰⁾	97,8	103,0 ¹⁰⁾	88,4	89,0 ¹⁰⁾	75,1	75,9 ¹⁰⁾	64,0	64,0 ¹⁰⁾	55,6	55,6 ¹⁰⁾	46,7	46,7 ¹⁰⁾
34	-	42,7 ¹¹⁾	42,7 ¹¹⁾	46,2 ¹¹⁾	46,2 ¹¹⁾	50,5*	50,5*	49,9*	49,9*	48,6*	48,6*	46,9*	46,9*	45,4*	45,4*	44,3*	44,3*	42,6*	42,6*	41,1*	41,1*	39,9*	39,9*	38,4*	38,4*
34	B	161,0 ⁸⁾	161,0 ⁸⁾	161,0 ⁸⁾	161,0 ⁸⁾	115,0	159,0 ⁹⁾	117,0	152,0 ⁹⁾	112,0	138,0 ⁹⁾	104,0	120,0 ¹⁰⁾	94,3	102,0 ¹⁰⁾	87,6	88,9 ¹⁰⁾	74,5	75,3 ¹⁰⁾	62,9	63,8 ¹⁰⁾	55,1	55,1 ¹⁰⁾	46,3	46,3 ¹⁰⁾
36	-	38,4 ¹¹⁾	38,4 ¹¹⁾	41,6 ¹¹⁾	41,6 ¹¹⁾	45,3	45,3	46,1*	46,1*	45,1*	45,1*	44,0*	44,0*	42,5*	42,5*	41,4*	41,4*	39,7*	39,7*	38,4*	38,4*	37,1*	37,1*	35,8*	35,8*
36	B	151,0 ⁸⁾	151,0 ⁸⁾	151,0 ⁸⁾	151,0 ⁸⁾	95,2	150,0 ⁹⁾	109,0	148,0 ⁹⁾	107,0	136,0 ⁹⁾	101,0	119,0 ¹⁰⁾	90,6	100,0 ¹⁰⁾	86,3	88,8 ¹⁰⁾	73,9	74,7 ¹⁰⁾	61,8	63,1 ¹⁰⁾	54,7	54,8 ¹⁰⁾	45,9	45,9 ¹⁰⁾
38	-	34,0 ¹¹⁾	34,0 ¹¹⁾	37,0 ¹¹⁾	37,0 ¹¹⁾	40,1 ¹¹⁾	40,1 ¹¹⁾	42,9*	42,9*	41,9*	41,9*	40,9*	40,9*	39,8*	39,8*	38,8*	38,8*	37,1*	37,1*	35,8*	35,8*	34,6*	34,6*	33,4*	33,4*
38	B	141,0 ⁸⁾	141,0 ⁸⁾	143,0 ⁸⁾	143,0 ⁸⁾	142,0 ⁸⁾	142,0 ⁸⁾	140,0 ⁸⁾	141,0 ⁹⁾	99,8	135,0 ⁸⁾	97,0	118,0 ⁹⁾	87,0	98,9 ⁹⁾	84,3	88,7 ⁹⁾	73,2	74,5 ⁹⁾	60,7	62,3 ⁹⁾	54,3	54,4 ⁹⁾	45,4	45,5 ⁹⁾
40	-	29,5 ¹¹⁾	29,5 ¹¹⁾	33,3 ¹¹⁾	33,3 ¹¹⁾	35,7 ¹¹⁾	35,7 ¹¹⁾	39,9*	39,9*	39,0*	39,0*	38,0*	38,0*	37,2*	37,2*	36,5*	36,5*	34,8*	34,8*	33,5*	33,5*	32,4*	32,4*	31,1*	31,1*
40	B	132,0 ⁸⁾	132,0 ⁸⁾	135,0 ⁸⁾	135,0 ⁸⁾	134,0 ⁸⁾	134,0 ⁸⁾	133,0 ⁸⁾	133,0 ⁸⁾	93,7	129,0 ⁸⁾	92,4	117,0 ⁹⁾	83,5	97,4 ⁹⁾	81,9	88,3 ⁹⁾	72,6	74,4 ⁹⁾	59,6	61,4 ⁹⁾	53,8	54,1 ⁹⁾	45,0	45,1 ⁹⁾
44	-	23,4 ¹¹⁾	23,4 ¹¹⁾	26,7 ¹¹⁾	26,7 ¹¹⁾	28,7 ¹¹⁾	28,7 ¹¹⁾	31,7 ¹¹⁾	31,7 ¹¹⁾	34,0*	34,0*	33,1*	33,1*	32,3*	32,3*	31,8*	31,8*	30,6*	30,6*	29,5*	29,5*	28,5*	28,5*	27,3*	27,3*
44	B	118,0 ⁸⁾	118,0 ⁸⁾	120,0 ⁸⁾	120,0 ⁸⁾	120,0 ⁸⁾	120,0 ⁸⁾	120,0 ⁸⁾	120,0 ⁸⁾	82,8	118,0 ⁸⁾	82,8	111,0 ⁹⁾	76,8	93,6 ⁹⁾	77,3	86,6 ⁹⁾	71,1	73,8 ⁹⁾	57,2	60,2 ⁹⁾	52,6	53,5 ⁹⁾	44,2	44,6 ⁹⁾
48	-	17,7 ¹¹⁾	17,7 ¹¹⁾	20,6 ¹¹⁾	20,6 ¹¹⁾	23,3 ¹¹⁾	23,3 ¹¹⁾	25,6 ¹¹⁾	25,6 ¹¹⁾	28,8	28,8	29,1*	29,1*	28,3*	28,3*	27,8*	27,8*	26,7*	26,7*	25,9*	25,9*	25,1*	25,1*	24,0*	24,0*
48	B	104,0 ⁷⁾	104,0 ⁷⁾	107,0 ⁷⁾	107,0 ⁷⁾	107,0 ⁷⁾	107,0 ⁷⁾	107,0 ⁷⁾	107,0 ⁷⁾	63,9	106,0 ⁷⁾	72,3	102,0 ⁸⁾	70,3	89,8 ⁸⁾	71,6	84,8 ⁸⁾	67,6	73,5 ⁸⁾	54,4	58,7 ⁸⁾	51,2	52,9 ⁸⁾	43,4	44,1 ⁸⁾
52	-	13,7 ¹¹⁾	13,7 ¹¹⁾	16,0 ¹¹⁾	16,0 ¹¹⁾	17,7 ¹¹⁾	17,7 ¹¹⁾	20,6 ¹¹⁾	20,6 ¹¹⁾	22,5 ¹¹⁾	22,5 ¹¹⁾	25,8*	25,8*	24,9*	24,9*	24,4*	24,4*	23,4*	23,4*	22,6*	22,6*	21,8*	21,8*	21,0*	21,0*
52	B	92,3 ⁷⁾	92,3 ⁷⁾	96,7 ⁷⁾	96,7 ⁷⁾	97,5 ⁷⁾	97,5 ⁷⁾	96,9 ⁷⁾	96,9 ⁷⁾	86,2 ⁷⁾	86,2 ⁷⁾	87,7 ⁷⁾	87,7 ⁷⁾	86,2 ⁷⁾	86,2 ⁷⁾	84,0	85,9 ⁷⁾	63,7	81,5 ⁷⁾	63,0	72,1 ⁷⁾	51,5	57,1 ⁷⁾	49,8	52,0 ⁷⁾
56	-	12,0 ¹¹⁾	12,0 ¹¹⁾	13,8 ¹¹⁾	13,8 ¹¹⁾	16,3 ¹¹⁾	16,3 ¹¹⁾	17,9 ¹¹⁾	17,9 ¹¹⁾	19,8 ¹¹⁾	19,8 ¹¹⁾	22,1*	22,1*	21,6*	21,6*	20,6*	20,6*	19,8*	19,8*	19,8*	19,8*	19,0*	19,0*	18,2*	18,2*
56	B	86,1 ⁷⁾	86,1 ⁷⁾	88,7 ⁷⁾	88,7 ⁷⁾	88,9 ⁷⁾	88,9 ⁷⁾	87,7 ⁷⁾	87,7 ⁷⁾	87,7 ⁷⁾	87,7 ⁷⁾	86,2 ⁷⁾	86,2 ⁷⁾	85,5	82,1 ⁷⁾	82,1 ⁷⁾	82,1 ⁷⁾	82,1 ⁷⁾	82,1 ⁷⁾	82,1 ⁷⁾	82,1 ⁷⁾	82,1 ⁷⁾	82,1 ⁷⁾	82,1 ⁷⁾	82,1 ⁷⁾
60	-	9,9 ¹¹⁾	9,9 ¹¹⁾	9,9 ¹¹⁾	9,9 ¹¹⁾	12,1 ¹¹⁾	12,1 ¹¹⁾	14,3 ¹¹⁾	14,3 ¹¹⁾	14,3 ¹¹⁾	14,3 ¹¹⁾	15,8 ¹¹⁾	15,8 ¹¹⁾	18,8	18,8	19,2*	19,2*	18,2*	18,2*	17,4*	17,4*	16,6*	16,6*	15,8*	15,8*
60	B	79,5 ⁷⁾	79,5 ⁷⁾	82,0 ⁷⁾	82,0 ⁷⁾	82,0 ⁷⁾	82,0 ⁷⁾	81,0 ⁷⁾	81,0 ⁷⁾	81,0 ⁷⁾	81,0 ⁷⁾	79,6 ⁷⁾	79,6 ⁷⁾	43,1	78,0 ⁷⁾	51,7	74,9 ⁷⁾	51,9	67,3 ⁷⁾	46,1	53,8 ⁷⁾	47,1	50,4 ⁷⁾	41,2	42,6 ⁷⁾
64	-	10,1 ¹¹⁾	10,1 ¹¹⁾	9,2 ¹¹⁾	9,2 ¹¹⁾	10,1 ¹¹⁾	10,1 ¹¹⁾	10,1 ¹¹⁾	10,1 ¹¹⁾	10,1 ¹¹⁾	10,1 ¹¹⁾	12,5 ¹¹⁾	12,5 ¹¹⁾	13,9 ¹¹⁾	13,9 ¹¹⁾	17,2*	17,2*	16,1*	16,1*	15,3*	15,3*	14,6*	14,6*	13,8*	13,8*
64	B	71,1 ⁷⁾	71,1 ⁷⁾	74,5 ⁷⁾	74,5 ⁷⁾	74,5 ⁷⁾	74,5 ⁷⁾	74,6 ⁷⁾	74,6 ⁷⁾	74,6 ⁷⁾	74,6 ⁷⁾	74,0 ⁷⁾	74,0 ⁷⁾	42,9	72,6 ⁷⁾	42,9	71,6 ⁷⁾	46,7	65,2 ⁷⁾	43,0	52,0 ⁷⁾	45,2	49,5 ⁷⁾	40,5	42,3 ⁷⁾
68	-	6,3 ¹¹⁾																							

SDWB

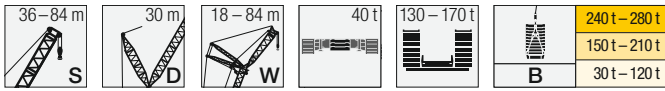
S 54



m		S 54																										
		W 18		W 24		W 30		W 36		W 42		W 48		W 54		W 60		W 66		W 72		W 78		W 84				
		85	Wmax	87°/85	Wmax	87°/85	Wmax	87°/85	Wmax	87°/85	Wmax	87°/85	Wmax	87°/85	Wmax	87°/85	Wmax	87°/85	Wmax	87°/85	Wmax	87°/85	Wmax	87°/85	Wmax	87°/85	Wmax	
14	-	130,0	130,0	130,0*	130,0*	125,0*	125,0*																					
14	B	222,0	222,0 ⁽¹⁾	182,0*	185,0 ⁽¹⁾	167,0*	167,0*																					
16	-	114,0	115,0 ⁽²⁾	114,0*	114,0*	110,0*	110,0*	106,0*	106,0*																			
16	B	214,0	222,0 ⁽¹⁾	185,0	186,0 ⁽¹⁾	160,0*	167,0 ⁽¹⁾	140,0*	140,0*																			
18	-	102,0	103,0 ⁽²⁾	102,0*	102,0*	98,1*	98,1*	95,1*	95,1*	91,9*	91,9*	89,0*	89,0*															
18	B	202,0	222,0 ⁽¹⁾	182,0	187,0 ⁽¹⁾	165,0	167,0 ⁽¹⁾	138,0*	140,0 ⁽¹⁾	123,0*	123,0*	106,0*	106,0*															
20	-	91,4	93,3 ⁽²⁾	91,7*	91,7*	88,4*	88,4*	85,9*	85,9*	83,0*	83,0*	80,4*	80,4*															
20	B	190,0	221,0 ⁽¹⁾	174,0	187,0 ⁽¹⁾	159,0	166,0 ⁽¹⁾	140,0	140,0 ⁽¹⁾	123,0	123,0 ⁽¹⁾	106,0*	106,0 ⁽¹⁾	95,5*	95,5*													
22	-	83,0	84,5 ⁽²⁾	83,4*	83,4*	80,3*	80,3*	78,0*	78,0*	75,4*	75,4*	73,1*	73,1*	70,5*	70,5*	68,7*	68,7*											
22	B	179,0	217,0 ⁽¹⁾	166,0	188,0 ⁽¹⁾	152,0	165,0 ⁽¹⁾	138,0	140,0 ⁽¹⁾	123,0	123,0 ⁽¹⁾	106,0	106,0 ⁽¹⁾	93,9*	95,5 ⁽¹⁾	83,3*	83,3*											
24	-	76,2	76,4 ⁽¹⁾	76,4*	76,4*	73,5*	73,5*	71,4*	71,4*	69,1*	69,1*	66,9*	66,9*	64,5*	64,5*	62,9*	62,9*	60,6*	60,6*	58,7*	58,7*							
24	B	160,0	212,0 ⁽¹⁾	157,0	185,0 ⁽¹⁾	146,0	164,0 ⁽¹⁾	133,0	140,0 ⁽¹⁾	121,0	123,0 ⁽¹⁾	106,0	106,0 ⁽¹⁾	95,6	95,6 ⁽¹⁾	82,2*	83,4 ⁽¹⁾	71,5*	71,5*	62,7*	62,7*							
26	-		68,5 ⁽¹⁾	70,5*	70,5*	67,6*	67,6*	65,8*	65,8*	63,5*	63,5*	61,6*	61,6*	59,3*	59,3*	57,8*	57,8*	55,7*	55,7*	53,9*	53,9*	51,9*	51,9*					
26	B		207,0 ⁽¹⁾	150,0	183,0 ⁽¹⁾	139,0	162,0 ⁽¹⁾	128,0	140,0 ⁽¹⁾	118,0	123,0 ⁽¹⁾	106,0	106,0 ⁽¹⁾	94,0	94,0 ⁽¹⁾	83,2	83,3 ⁽¹⁾	70,6*	71,4 ⁽¹⁾	61,4*	61,8 ⁽¹⁾	53,0*	53,0*					
28	-		60,7 ⁽¹⁾	65,5*	65,5*	62,6*	62,6*	60,8*	60,8*	58,7*	58,7*	56,9*	56,9*	54,7*	54,7*	53,5*	53,5*	51,4*	51,4*	49,7*	49,7*	48,2*	48,2*	44,3*	44,3*			
28	B		195,0 ⁽¹⁾	142,0	181,0 ⁽¹⁾	133,0	159,0 ⁽¹⁾	123,0	139,0 ⁽¹⁾	113,0	123,0 ⁽¹⁾	103,0	106,0 ⁽¹⁾	92,1	94,1 ⁽¹⁾	81,9	82,7 ⁽¹⁾	71,1	71,2 ⁽¹⁾	60,2*	61,2 ⁽¹⁾	52,3*	52,6 ⁽¹⁾	44,4*	44,4*			
30	-		53,6 ⁽¹⁾	58,1	58,1	58,2*	58,2*	56,5*	56,5*	54,5*	54,5*	52,8*	52,8*	50,7*	50,7*	49,5*	49,5*	47,6*	47,6*	46,0*	46,0*	44,6*	44,6*	42,9*	42,9*			
30	B		182,0 ⁽¹⁾	132,0	175,0 ⁽¹⁾	125,0	156,0 ⁽¹⁾	118,0	137,0 ⁽¹⁾	109,0	122,0 ⁽¹⁾	100,0	106,0 ⁽¹⁾	90,0	93,4 ⁽¹⁾	80,5	82,1 ⁽¹⁾	70,2	70,7 ⁽¹⁾	60,4	60,6 ⁽¹⁾	52,3	52,3 ⁽¹⁾	43,7*	43,7*	44,1 ⁽¹⁾	44,1 ⁽¹⁾	
32	-		47,6 ⁽¹⁾		52,0 ⁽¹⁾	54,3*	54,3*	52,7*	52,7*	50,8*	50,8*	49,1*	49,1*	47,2*	47,2*	46,1*	46,1*	44,2*	44,2*	42,7*	42,7*	41,4*	41,4*	39,9*	39,9*			
32	B		170,2 ⁽¹⁾		167,2 ⁽¹⁾	120,0	153,0 ⁽²⁾	113,0	136,0 ⁽¹⁾	105,0	120,0 ⁽¹⁾	96,7	106,0 ⁽¹⁾	88,0	92,7 ⁽¹⁾	79,0	81,5 ⁽¹⁾	69,4	70,3 ⁽¹⁾	59,5	60,0 ⁽¹⁾	51,9	52,0 ⁽¹⁾	43,8	43,8 ⁽¹⁾			
34	-		41,7 ⁽¹⁾		46,1 ⁽¹⁾	50,0*	50,0*	49,4*	49,4*	47,5*	47,5*	45,9*	45,9*	44,0*	44,0*	42,9*	42,9*	41,2*	41,2*	39,7*	39,7*	38,5*	38,5*	37,1*	37,1*			
34	B		160,0 ⁽²⁾		158,0 ⁽²⁾	115,0	150,0 ⁽²⁾	109,0	134,0 ⁽¹⁾	101,0	119,0 ⁽¹⁾	93,9	105,0 ⁽¹⁾	85,9	91,9 ⁽¹⁾	77,7	80,9 ⁽¹⁾	68,7	69,9 ⁽¹⁾	58,6	59,4 ⁽¹⁾	51,5	51,6 ⁽¹⁾	43,4	43,4 ⁽¹⁾			
36	-		37,6 ⁽¹⁾		41,0 ⁽¹⁾	44,6	44,6	45,8*	45,8*	44,5*	44,5*	42,9*	42,9*	41,1*	41,1*	40,1*	40,1*	38,4*	38,4*	37,0*	37,0*	35,8*	35,8*	34,5*	34,5*			
36	B		150,0 ⁽²⁾		150,0 ⁽²⁾	102,0	146,0 ⁽²⁾	104,0	132,0 ⁽²⁾	97,9	117,0 ⁽¹⁾	91,0	104,0 ⁽¹⁾	83,5	91,0 ⁽¹⁾	76,4	80,2 ⁽¹⁾	67,9	69,4 ⁽¹⁾	57,7	58,8 ⁽¹⁾	51,1	51,2 ⁽¹⁾	43,1	43,1 ⁽¹⁾			
38	-		33,7 ⁽¹⁾		36,7 ⁽¹⁾		39,8 ⁽¹⁾	42,5*	42,5*	41,5*	41,5*	40,3*	40,3*	38,5*	38,5*	37,6*	37,6*	35,9*	35,9*	34,6*	34,6*	33,4*	33,4*	32,1*	32,1*			
38	B		141,0 ⁽²⁾		141,0 ⁽²⁾		139,0 ⁽²⁾	99,9	129,0 ⁽²⁾	94,4	116,0 ⁽²⁾	88,1	103,0 ⁽²⁾	81,1	90,4 ⁽²⁾	74,6	79,6 ⁽²⁾	67,0	69,0 ⁽¹⁾	56,7	58,2 ⁽¹⁾	50,7	50,9 ⁽¹⁾	42,7	42,8 ⁽¹⁾			
40	-		29,8 ⁽¹⁾		32,4 ⁽¹⁾		35,4 ⁽¹⁾	39,6*	39,6*	38,6*	38,6*	37,8*	37,8*	36,2*	36,2*	35,3*	35,3*	33,7*	33,7*	32,4*	32,4*	31,3*	31,3*	30,0*	30,0*			
40	B		133,0 ⁽²⁾		133,0 ⁽²⁾		132,0 ⁽²⁾	93,9	126,0 ⁽²⁾	91,0	115,0 ⁽²⁾	85,3	102,0 ⁽²⁾	78,8	89,6 ⁽²⁾	72,7	79,5 ⁽²⁾	66,0	68,9 ⁽²⁾	55,8	57,6 ⁽²⁾	50,2	50,5 ⁽²⁾	42,3	42,4 ⁽²⁾			
44	-		22,5 ⁽²⁾		26,3 ⁽¹⁾		28,4 ⁽¹⁾		31,5 ⁽¹⁾	33,7*	33,7*	32,9*	32,9*	31,8*	31,8*	31,2*	31,2*	29,7*	29,7*	28,5*	28,5*	27,5*	27,5*	26,3*	26,3*			
44	B		116,0 ⁽²⁾		120,0 ⁽²⁾		119,0 ⁽²⁾		118,0 ⁽²⁾	84,1	110,0 ⁽²⁾	79,4	99,7 ⁽²⁾	74,1	87,8 ⁽²⁾	69,1	78,4 ⁽²⁾	63,0	68,5 ⁽²⁾	53,8	56,5 ⁽²⁾	49,1	50,0 ⁽²⁾	41,6	41,9 ⁽²⁾			
48	-		17,6 ⁽²⁾		20,2 ⁽¹⁾		22,7 ⁽¹⁾		25,3 ⁽¹⁾	28,3	28,3	28,9*	28,9*	27,8*	27,8*	27,3*	27,3*	26,2*	26,2*	25,2*	25,2*	24,2*	24,2*	23,1*	23,1*			
48	B		105,0 ⁽²⁾		107,0 ⁽²⁾		108,0 ⁽²⁾		107,0 ⁽²⁾	68,4	104,0 ⁽²⁾	73,2	96,5 ⁽²⁾	68,4	85,3 ⁽²⁾	65,4	77,3 ⁽²⁾	60,1	67,6 ⁽²⁾	51,4	55,3 ⁽²⁾	47,8	49,6 ⁽²⁾	40,9	41,6 ⁽²⁾			
52	-		12,8 ⁽²⁾		15,4 ⁽²⁾		17,9 ⁽¹⁾		20,0 ⁽¹⁾		22,1 ⁽¹⁾	25,5*	25,5*	24,5*	24,5*	24,0*	24,0*	22,9*	22,9*	22,1*	22,1*	21,3*	21,3*	20,3*	20,3*			
52	B		93,0 ⁽²⁾		96,0 ⁽²⁾		97,2 ⁽²⁾		97,2 ⁽²⁾		95,5 ⁽²⁾	62,3	91,0 ⁽²⁾	63,3	81,8 ⁽²⁾	62,0	76,5 ⁽²⁾	57,1	67,0 ⁽²⁾	49,0	54,0 ⁽²⁾	46,4	48,7 ⁽²⁾	40,2	41,1 ⁽²⁾			
56	-		9,6 ⁽²⁾		11,4 ⁽²⁾		13,1 ⁽²⁾		15,9 ⁽¹⁾		17,7 ⁽¹⁾		19,6 ⁽¹⁾	21,7*	21,7*	21,2*	21,2*	20,1*	20,1*	19,3*	19,3*	18,6*	18,6*	17,8*	17,8*			
56	B		84,1 ⁽²⁾		86,4 ⁽²⁾		87,8 ⁽²⁾		88,0 ⁽²⁾		87,3 ⁽²⁾		84,9 ⁽²⁾	57,3	78,7 ⁽¹⁾	58,4	74,3 ⁽²⁾	54,4	66,4 ⁽²⁾	46,6	52,7 ⁽²⁾	45,2	48,2 ⁽²⁾	39,5	40,8 ⁽²⁾			
60	-				8,1 ⁽²⁾		9,9 ⁽²⁾		11,9 ⁽¹⁾		13,9 ⁽¹⁾		15,6 ⁽¹⁾	18,2	18,2	18,8*	18,8*	17,7*	17,7*	17,0*	17,0*	16,2*	16,2*	15,4*	15,4*			
60	B				77,6 ⁽²⁾		79,8 ⁽²⁾		80,9 ⁽²⁾		79,8 ⁽²⁾		78,8 ⁽²⁾	45,7	75,2 ⁽¹⁾	52,7	71,2 ⁽²⁾	51,4	64,7 ⁽²⁾	44,3	51,3 ⁽²⁾	43,7	47,4 ⁽²⁾	38,8	40,4 ⁽²⁾			
64	-						6,6 ⁽²⁾		8,6 ⁽²⁾		10,6 ⁽¹⁾		12,0 ⁽¹⁾			16,8*	16,8*	15,7*	15,7*	14,9*	14,9*	14,2*	14,2*	13,4*	13,4*			
64	B						71,6 ⁽²⁾		74,1 ⁽²⁾		73,8 ⁽²⁾		72,8 ⁽²⁾			70,7 ⁽²⁾	44,5	68,4 ⁽²⁾	47,2	62,7 ⁽²⁾	42,0	49,9 ⁽²⁾	41,8	46,7 ⁽²⁾	37,8	40,1 ⁽²⁾		
68	-						4,2 ⁽²⁾		6,1 ⁽²⁾		7,1 ⁽²⁾		9,3 ⁽¹⁾			10,3 ⁽¹⁾		12,0 ⁽¹⁾	13,9*	13,9*	13,2*	13,2*	12,4*	12,4*	11,6*	11,6*		
68	B						65,1 ⁽²⁾		67,2 ⁽²⁾		68,6 ⁽²⁾		67,7 ⁽²⁾			66,2 ⁽²⁾		65,2 ⁽²⁾	41,2	61,1 ⁽²⁾	39,3	48,5 ⁽²⁾	39,7	46,1 ⁽²⁾	36,2	39,7 ⁽²⁾		
72	-								4,6 ⁽²⁾		6,6 ⁽¹⁾		7,7 ⁽¹⁾			7,7 ⁽¹⁾		9,3 ⁽¹⁾	11,4	11,4	11,6*	11,6*	10,9*	10,9*	10,1*	10,1*		
72	B								61,0 ⁽²⁾		62,7 ⁽²⁾		63,4 ⁽²⁾			62,0 ⁽²⁾		61,3 ⁽²⁾	33,2	58,7 ⁽²⁾	36,4	47,1 ⁽²⁾	36,9	45,1 ⁽²⁾	34,6	39,3 ⁽²⁾		
76	-															5,2 ⁽¹⁾		6,8 ⁽¹⁾		7,8 ⁽¹⁾	10,3*	10,3*	9,6*	9,6*	8,9*	8,9*		
76	B															56,5 ⁽²⁾		57,1 ⁽²⁾		55,7 ⁽²⁾	32,1	45,7 ⁽²⁾	34,1	44,0 ⁽²⁾	32,1	38,7 ⁽²⁾		
80	-																	5,7 ⁽¹⁾		6,7 ⁽¹⁾	8,6*	8,6*	7,9*	7,9*				
80	B																											

SDWB

S 66

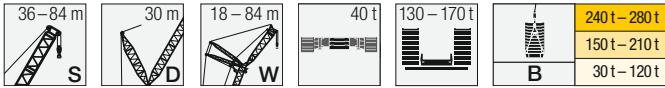


		S 66																								
		W 18		W 24		W 30		W 36		W 42		W 48		W 54		W 60		W 66		W 72		W 78		W 84		
		85	Wmax	87/85	Wmax	87/85	Wmax	87/85	Wmax	87/85	Wmax	87/85	Wmax	87/85	Wmax	87/85	Wmax	87/85	Wmax	87/85	Wmax	87/85	Wmax	87/85	Wmax	
14	- B			120,0*	120,0*																					
16	- B	105,0	105,0	106,0*	106,0*	103,0*	103,0*	99,3*	99,3*																	
18	- B	94,0	95,4 ⁶⁾	95,4*	95,4*	92,0*	92,0*	89,1*	89,1*	85,7*	85,7*															
20	- B	84,9	86,8 ⁶⁾	86,3*	86,3*	83,2*	83,2*	80,7*	80,7*	77,6*	77,6*	74,7*	74,7*	72,4*	72,4*											
22	- B	77,3	79,1 ⁸⁾	78,7*	78,7*	75,9*	75,9*	73,6*	73,6*	70,7*	70,7*	68,1*	68,1*	66,0*	66,0*	63,9*	63,9*									
24	- B	70,9	72,9 ¹¹⁾	72,2*	72,2*	69,6*	69,6*	67,5*	67,5*	64,8*	64,8*	62,4*	62,4*	60,5*	60,5*	58,6*	58,6*	56,3*	56,3*							
26	- B	65,7	64,0 ¹¹⁾	66,7*	66,7*	64,2*	64,2*	62,2*	62,2*	59,8*	59,8*	57,5*	57,5*	55,7*	55,7*	53,9*	53,9*	51,8*	51,8*	50,1*	50,1*	45,9*	45,9*			
28	- B	58,2 ¹¹⁾	62,0*	62,0*	62,0*	59,5*	59,5*	57,6*	57,6*	55,3*	55,3*	53,1*	53,1*	51,5*	51,5*	49,8*	49,8*	47,8*	47,8*	46,2*	46,2*	44,5*	44,5*	39,0*	39,0*	
30	- B	51,0 ¹¹⁾	54,8	55,7 ¹¹⁾	55,7*	53,6*	53,6*	51,4*	51,4*	49,3*	49,3*	47,8*	47,8*	46,2*	46,2*	44,3*	44,3*	42,7*	42,7*	41,4*	41,4*	38,4*	38,4*	38,4*	38,4*	
32	- B	45,5 ¹¹⁾	51,5	51,5	51,5	49,9*	49,9*	47,9*	47,9*	45,9*	45,9*	44,4*	44,4*	43,0*	43,0*	41,1*	41,1*	39,7*	39,7*	38,4*	38,4*	36,9*	36,9*	36,9*	36,9*	
34	- B	40,8 ¹¹⁾	47,0*	47,0*	47,0*	46,9*	46,9*	44,8*	44,8*	42,9*	42,9*	41,5*	41,5*	40,1*	40,1*	38,3*	38,3*	36,9*	36,9*	35,7*	35,7*	34,3*	34,3*	34,3*	34,3*	
36	- B	36,2 ¹¹⁾	40,2 ¹¹⁾	40,2*	40,2*	43,2	43,2*	41,1*	41,1*	40,1*	40,1*	38,8*	38,8*	37,4*	37,4*	35,7*	35,7*	34,3*	34,3*	33,2*	33,2*	31,9*	31,9*	31,9*	31,9*	
38	- B	32,0 ¹¹⁾	35,8 ¹¹⁾	35,8*	35,8*	40,2	40,2	41,6*	41,6*	39,5*	39,5*	37,7*	37,7*	36,4*	36,4*	35,1*	35,1*	33,4*	33,4*	32,1*	32,1*	31,0*	31,0*	29,7*	29,7*	
40	- B	28,8 ¹¹⁾	32,0 ¹¹⁾	32,0*	32,0*	35,3 ¹¹⁾	35,3*	38,7*	38,7*	37,3*	37,3*	35,4*	35,4*	34,2*	34,2*	32,9*	32,9*	31,2*	31,2*	30,0*	30,0*	28,9*	28,9*	27,7*	27,7*	
44	- B	22,5 ¹¹⁾	25,0 ¹¹⁾	25,0*	25,0*	27,8 ¹¹⁾	27,8*	32,0	32,0	32,8*	32,8*	31,6*	31,6*	30,3*	30,3*	29,1*	29,1*	27,5*	27,5*	26,4*	26,4*	25,3*	25,3*	24,2*	24,2*	
48	- B	16,1 ⁸⁾	19,9 ¹¹⁾	19,9*	19,9*	21,9 ¹¹⁾	21,9*	24,5 ¹¹⁾	24,5*	27,1	27,1	27,7*	27,7*	27,0*	27,0*	25,9*	25,9*	24,4*	24,4*	23,3*	23,3*	22,3*	22,3*	21,2*	21,2*	
52	- B	12,2 ⁹⁾	14,9 ¹¹⁾	14,9*	14,9*	17,3 ¹¹⁾	17,3*	19,5 ¹¹⁾	19,5*	21,6 ¹¹⁾	21,6*	24,5*	24,5*	23,7*	23,7*	22,9*	22,9*	21,7*	21,7*	20,6*	20,6*	19,7*	19,7*	18,6*	18,6*	
56	- B	8,5 ⁹⁾	10,5 ⁹⁾	10,5*	10,5*	13,2 ¹¹⁾	13,2*	15,0 ¹¹⁾	15,0*	16,8 ¹¹⁾	16,8*	20,2	20,2	21,0*	21,0*	20,2*	20,2*	19,1*	19,1*	18,3*	18,3*	17,4*	17,4*	16,3*	16,3*	
60	- B	7,5 ⁹⁾	7,4 ⁹⁾	7,4*	7,4*	8,7 ⁹⁾	8,7*	11,7 ¹¹⁾	11,7*	12,8 ¹¹⁾	12,8*	14,5 ¹¹⁾	14,5*	17,2	17,2	17,9*	17,9*	16,8*	16,8*	16,0*	16,0*	15,3*	15,3*	14,3*	14,3*	
64	- B	6,8 ¹⁰⁾	6,9 ¹⁰⁾	6,9*	6,9*	7,1 ¹⁰⁾	7,1*	8,3 ¹¹⁾	8,3*	9,6 ¹¹⁾	9,6*	11,1 ¹¹⁾	11,1*	12,8 ¹¹⁾	12,8*	15,9*	15,9*	14,8*	14,8*	14,0*	14,0*	13,3*	13,3*	12,5*	12,5*	
68	- B		6,3 ¹⁰⁾	6,3*	6,3*	6,6 ¹⁰⁾	6,6*	6,6 ¹⁰⁾	6,6*	6,6 ¹⁰⁾	6,6*	6,6 ¹⁰⁾	6,6*	6,3 ¹⁰⁾	6,3*	6,0	6,0	5,8 ¹¹⁾	5,8*	5,8 ¹¹⁾	5,8*	5,8 ¹¹⁾	5,8*	5,8 ¹¹⁾	5,8*	
72	- B		5,7 ¹⁰⁾	5,7*	5,7*	6,0 ¹⁰⁾	6,0*	6,0 ¹⁰⁾	6,0*	6,0 ¹⁰⁾	6,0*	6,0 ¹⁰⁾	6,0*	5,9 ¹⁰⁾	5,9*	5,6 ¹⁰⁾	5,6*	5,6 ¹⁰⁾	5,6*	5,6 ¹⁰⁾	5,6*	5,6 ¹⁰⁾	5,6*	5,6 ¹⁰⁾	5,6*	
76	- B			5,3 ¹⁰⁾	5,3*	5,4 ¹⁰⁾	5,4*	5,5 ¹⁰⁾	5,5*	5,5 ¹⁰⁾	5,5*	5,5 ¹⁰⁾	5,5*	5,5 ¹⁰⁾	5,5*	5,4 ¹⁰⁾	5,4*	5,4 ¹⁰⁾	5,4*	5,4 ¹⁰⁾	5,4*	5,4 ¹⁰⁾	5,4*	5,4 ¹⁰⁾	5,4*	
80	- B					5,0 ¹⁰⁾	5,0*	5,1 ¹⁰⁾	5,1*	5,2 ¹⁰⁾	5,2*	5,2 ¹⁰⁾	5,2*	5,2 ¹⁰⁾	5,2*	5,0 ¹⁰⁾	5,0*	4,8 ¹⁰⁾	4,8*	4,8 ¹⁰⁾	4,8*	4,8 ¹⁰⁾	4,8*	4,8 ¹⁰⁾	4,8*	
84	- B					4,5 ¹⁰⁾	4,5*	4,6 ¹⁰⁾	4,6*	4,6 ¹⁰⁾	4,6*	4,6 ¹⁰⁾	4,6*	4,9 ¹⁰⁾	4,9*	4,8 ¹⁰⁾	4,8*	4,6 ¹⁰⁾	4,6*	4,6 ¹⁰⁾	4,6*	4,6 ¹⁰⁾	4,6*	4,6 ¹⁰⁾	4,6*	
88	- B							4,2 ¹⁰⁾	4,2*	4,3 ¹⁰⁾	4,3*	4,3 ¹⁰⁾	4,3*	4,5 ¹⁰⁾	4,5*	4,5 ¹⁰⁾	4,5*	4,4 ¹⁰⁾	4,4*	4,4 ¹⁰⁾	4,4*	4,4 ¹⁰⁾	4,4*	4,4 ¹⁰⁾	4,4*	
92	- B									3,9 ¹⁰⁾	3,9*	3,9 ¹⁰⁾	3,9*	4,1 ¹⁰⁾	4,1*	4,2 ¹⁰⁾	4,2*	4,1 ¹⁰⁾	4,1*	4,1 ¹⁰⁾	4,1*	3,8 ¹⁰⁾	3,8*	3,8 ¹⁰⁾	3,8*	
96	- B											3,6 ¹⁰⁾	3,6*	3,7 ¹⁰⁾	3,7*	3,8 ¹⁰⁾	3,8*	3,9 ¹⁰⁾	3,9*	3,9 ¹⁰⁾	3,9*	3,6 ¹⁰⁾	3,6*	3,6 ¹⁰⁾	3,6*	
100	- B												3,3 ¹⁰⁾	3,3*	3,4 ¹⁰⁾	3,4*	3,6 ¹⁰⁾	3,6*	3,6 ¹⁰⁾	3,6*	3,4 ¹⁰⁾	3,4*	3,4 ¹⁰⁾	3,4*	3,4 ¹⁰⁾	
104	- B													3,1 ¹⁰⁾	3,1*	3,3 ¹⁰⁾	3,3*	3,5 ¹⁰⁾	3,5*	3,5 ¹⁰⁾	3,5*	3,2 ¹⁰⁾	3,2*	3,2 ¹⁰⁾	3,2*	
108	- B														2,8 ¹⁰⁾	2,8*	2,9 ¹⁰⁾	2,9*	3,0 ¹⁰⁾	3,0*	3,0 ¹⁰⁾	3,0*	3,0 ¹⁰⁾	3,0*	2,9 ¹⁰⁾	
112	- B															2,6 ¹⁰⁾	2,6*	2,7 ¹⁰⁾	2,7*	2,7 ¹⁰⁾	2,7*	2,7 ¹⁰⁾	2,7*	2,7 ¹⁰⁾	2,7*	
116	- B																2,5 ¹⁰⁾	2,5*	2,5 ¹⁰⁾	2,5*	2,5 ¹⁰⁾	2,5*	2,5 ¹⁰⁾	2,5*	2,5 ¹⁰⁾	
120	- B																	2,2 ¹⁰⁾	2,2*	2,2 ¹⁰⁾	2,2*	2,2 ¹⁰⁾	2,2*	2,2 ¹⁰⁾	2,2*	
124	- B																					2,1 ¹⁰⁾	2,1*	2,1 ¹⁰⁾	2,1*	
128	- B																							1,9 ¹⁰⁾	1,9*	
132	- B																								1,7 ¹⁰⁾	

1) 12°; 2) 17°; 3) 22°; 4) 27°; 5) 32°; 6) 37°; 7) 42°; 8) 47°; 9) 52°; 10) 57°; 11) 62°

SDWB

S 72

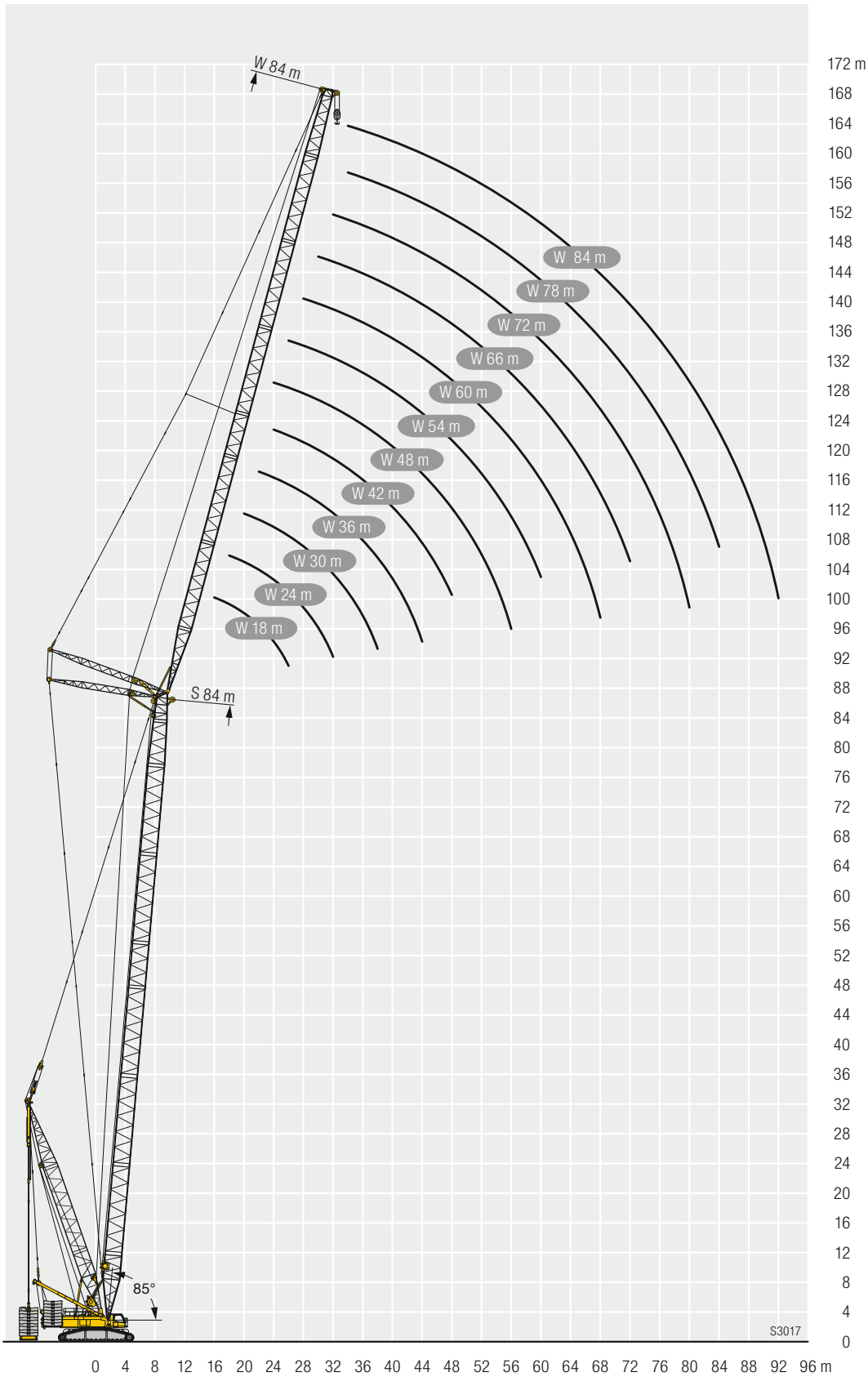


m		S 72																							
		W 18		W 24		W 30		W 36		W 42		W 48		W 54		W 60		W 66		W 72		W 78		W 84	
		85	Wmax	87°/85	Wmax	87°/85	Wmax	87°/85	Wmax	87°/85	Wmax	87°/85	Wmax	87°/85	Wmax	87°/85	Wmax	87°/85	Wmax	87°/85	Wmax	87°/85	Wmax	87°/85	Wmax
14	-			116,0*	116,0*																				
16	-	101,0	101,0	103,0*	103,0*	98,9*	98,9*	95,3*	95,3*																
18	-	90,4	93,0 ⁶⁾	92,1*	92,1*	88,9*	88,9*	85,7*	85,7*	82,4*	82,4*														
20	-	81,8	84,7 ⁶⁾	83,5*	83,5*	80,6*	80,6*	77,7*	77,7*	74,6*	74,6*	71,8*	71,8*												
22	-	74,6	77,3 ⁶⁾	76,2*	76,2*	73,5*	73,5*	70,9*	70,9*	68,1*	68,1*	65,5*	65,5*	63,5*	63,5*	61,3*	61,3*								
24	-	68,5	71,3 ¹¹⁾	70,0*	70,0*	67,5*	67,5*	65,0*	65,0*	62,5*	62,5*	60,1*	60,1*	58,2*	58,2*	56,3*	56,3*	53,6*	53,6*						
26	-	63,4	63,1 ¹¹⁾	64,8*	64,8*	62,4*	62,4*	60,0*	60,0*	57,6*	57,6*	55,3*	55,3*	53,6*	53,6*	51,8*	51,8*	49,7*	49,7*	46,5*	46,5*	41,2*	41,2*		
28	-	56,9 ¹¹⁾	60,2*	60,2*	60,2*	57,9*	57,9*	55,6*	55,6*	53,3*	53,3*	51,2*	51,2*	49,6*	49,6*	47,9*	47,9*	45,9*	45,9*	44,3*	44,3*	40,5*	40,5*	35,5*	35,5*
30	-	50,6 ¹¹⁾	56,5*	56,5*	56,5*	53,9*	53,9*	51,8*	51,8*	49,6*	49,6*	47,5*	47,5*	46,0*	46,0*	44,4*	44,4*	42,5*	42,5*	41,0*	41,0*	39,7*	39,7*	34,9*	34,9*
32	-	44,4 ¹¹⁾	49,5	49,5	49,5	50,4*	50,4*	48,4*	48,4*	46,2*	46,2*	44,2*	44,2*	42,8*	42,8*	41,3*	41,3*	39,5*	39,5*	38,0*	38,0*	36,8*	36,8*	34,3*	34,3*
34	-	39,7 ¹¹⁾	44,2 ¹¹⁾	44,2 ¹¹⁾	44,2 ¹¹⁾	47,4*	47,4*	45,3*	45,3*	43,2*	43,2*	41,3*	41,3*	39,9*	39,9*	38,5*	38,5*	36,7*	36,7*	35,3*	35,3*	34,2*	34,2*	32,8*	32,8*
36	-	35,5 ¹¹⁾	39,5 ¹¹⁾	39,5 ¹¹⁾	39,5 ¹¹⁾	44,9*	44,9*	42,6*	42,6*	40,5*	40,5*	38,7*	38,7*	37,4*	37,4*	36,0*	36,0*	34,3*	34,3*	32,9*	32,9*	31,8*	31,8*	30,5*	30,5*
38	-	31,2 ¹¹⁾	34,8 ¹¹⁾	34,8 ¹¹⁾	34,8 ¹¹⁾	39,5	39,5	40,2*	40,2*	38,1*	38,1*	36,3*	36,3*	35,0*	35,0*	33,7*	33,7*	32,0*	32,0*	30,8*	30,8*	29,7*	29,7*	28,4*	28,4*
40	-	27,7 ¹¹⁾	31,3 ¹¹⁾	31,3 ¹¹⁾	31,3 ¹¹⁾	34,7 ¹¹⁾	34,7 ¹¹⁾	38,0*	38,0*	35,9*	35,9*	34,1*	34,1*	32,9*	32,9*	31,6*	31,6*	30,0*	30,0*	28,7*	28,7*	27,7*	27,7*	26,5*	26,5*
44	-	22,0 ¹¹⁾	24,3 ¹¹⁾	24,3 ¹¹⁾	24,3 ¹¹⁾	27,2 ¹¹⁾	27,2 ¹¹⁾	31,2	31,2	32,1*	32,1*	30,4*	30,4*	29,2*	29,2*	27,9*	27,9*	26,4*	26,4*	25,2*	25,2*	24,2*	24,2*	23,0*	23,0*
48	-	16,4 ¹¹⁾	19,3 ¹¹⁾	19,3 ¹¹⁾	19,3 ¹¹⁾	21,5 ¹¹⁾	21,5 ¹¹⁾	24,1 ¹¹⁾	24,1 ¹¹⁾	28,2*	28,2*	27,1*	27,1*	26,0*	26,0*	24,9*	24,9*	23,3*	23,3*	22,2*	22,2*	21,3*	21,3*	20,1*	20,1*
52	-	11,2 ⁹⁾	14,7 ¹¹⁾	14,7 ¹¹⁾	14,7 ¹¹⁾	16,5 ¹¹⁾	16,5 ¹¹⁾	18,8 ¹¹⁾	18,8 ¹¹⁾	21,1 ¹¹⁾	21,1 ¹¹⁾	23,9*	23,9*	23,1*	23,1*	22,2*	22,2*	20,7*	20,7*	19,6*	19,6*	18,7*	18,7*	17,6*	17,6*
56	-	7,8 ⁹⁾	10,1 ¹¹⁾	10,1 ¹¹⁾	10,1 ¹¹⁾	12,7 ¹¹⁾	12,7 ¹¹⁾	14,2 ¹¹⁾	14,2 ¹¹⁾	16,2 ¹¹⁾	16,2 ¹¹⁾	19,5	19,5	20,4*	20,4*	19,6*	19,6*	18,5*	18,5*	17,4*	17,4*	16,5*	16,5*	15,4*	15,4*
60	-	4,3 ⁹⁾	8,8 ¹¹⁾	8,8 ¹¹⁾	8,8 ¹¹⁾	10,7 ¹¹⁾	10,7 ¹¹⁾	12,2 ¹¹⁾	12,2 ¹¹⁾	14,0 ¹¹⁾	14,0 ¹¹⁾	18,1*	18,1*	18,1*	18,1*	17,3*	17,3*	16,2*	16,2*	15,4*	15,4*	14,6*	14,6*	13,5*	13,5*
64	-																								
68	-																								
72	-																								
76	-																								
80	-																								
84	-																								
88	-																								
92	-																								
96	-																								
100	-																								
104	-																								
108	-																								
112	-																								
116	-																								
120	-																								
124	-																								
128	-																								
132	-																								
136	-																								

1) 12°; 2) 17°; 3) 22°; 4) 27°; 5) 32°; 6) 37°; 7) 42°; 8) 47°; 9) 52°; 10) 57°; 11) 62°

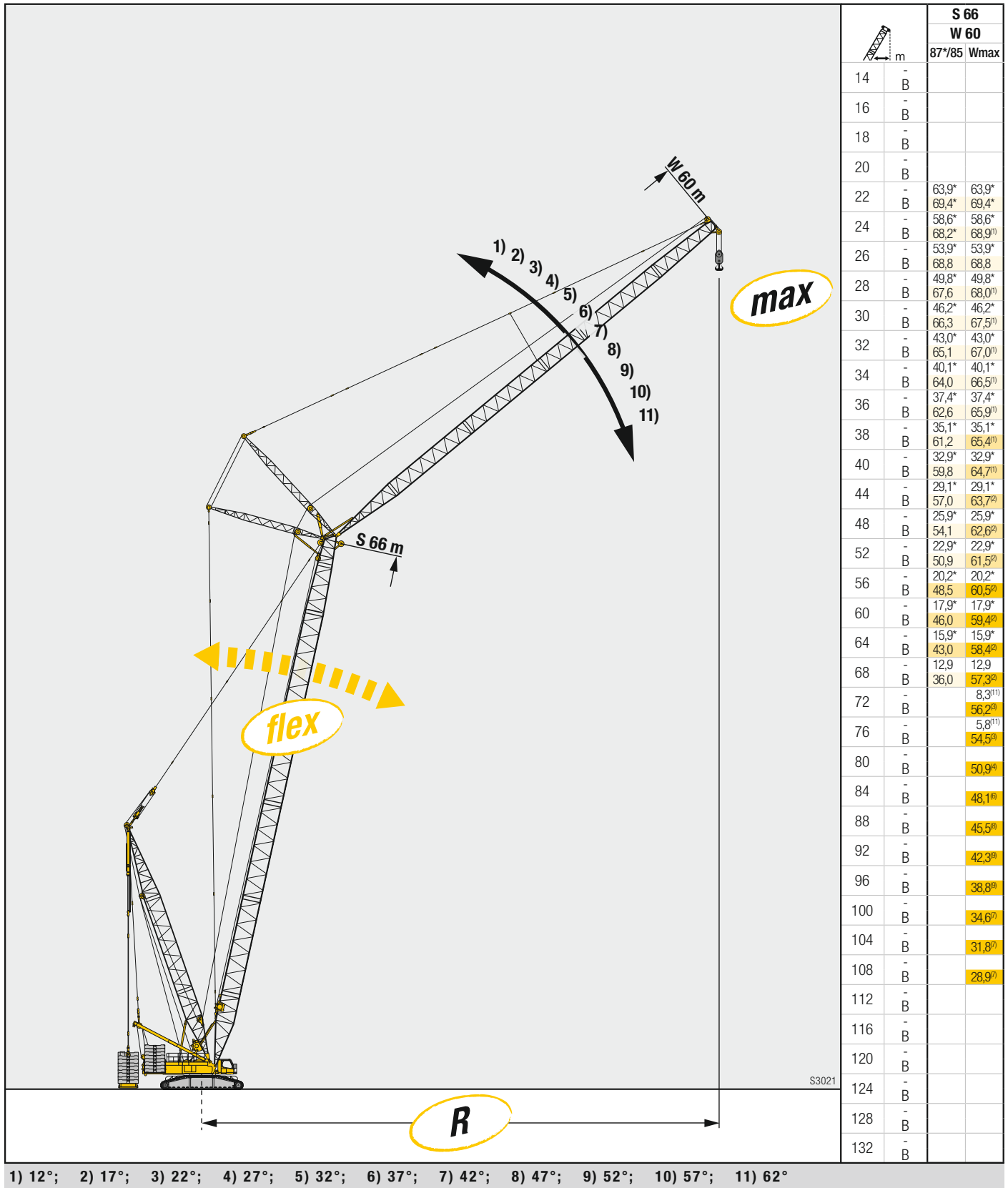
Lifting heights

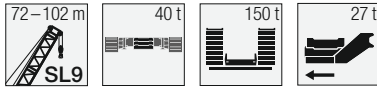
SDWB

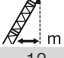
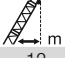


Example

Wmax



SL9
SL9 72 - 102


 m	SL9 72	SL9 75	SL9 78	SL9 81	SL9 84	SL9 87	SL9 90	SL9 93	SL9 96	SL9 99	SL9 102	 m
12	166											12
13	153					135	129					13
14	141	138	135	132	128	125	120	116	118	114		14
15	131	128	126	123	119	116	112	108	110	107	103	15
16	122	120	117	114	112	109	105	101	103	100	97	16
17	114	112	110	107	104	102	98,7	95,3	96,6	93,8	90,8	17
18	107	105	103	101	98,1	95,3	92,5	89,5	90,9	88,6	85,7	18
20	94,5	92,7	91,1	89,1	87,1	85,1	82,9	79,9	80,7	78,5	76,2	20
22	84,2	82,5	81,2	79,7	77,5	75,6	73,9	71,7	72,5	70,7	68,5	22
24	75,7	74,4	72,9	71,3	69,7	68,1	66,4	64,2	64,9	63,2	61,6	24
26	68,5	67,1	66	64,8	63	61,4	59,9	58,2	58,6	56,9	55,3	26
28	62,1	61	59,9	58,7	57,6	56,3	54,5	52,6	52,8	51,6	50,3	28
30	56,1	55,4	54,5	53,5	52,4	51,3	50,1	48,2	48,3	46,9	45,6	30
32	50,7	50,1	49,5	48,7	47,8	46,8	45,9	44,2	44,3	43,1	41,7	32
34	46	45,3	44,9	44,3	43,5	42,8	42,1	40,7	40,3	39,5	38,3	34
36	41,9	41,2	40,8	40,1	39,6	38,9	38,5	37,4	36,8	36	35,1	36
38	38,2	37,5	37,1	36,5	35,9	35,3	35	34,1	33,7	32,9	32	38
40	34,9	34,3	33,8	33,2	32,6	32,1	31,7	30,9	30,7	30	29,2	40
44	29,4	28,8	28,3	27,7	27,1	26,5	26,3	25,4	25,2	24,7	24,1	44
48	24,9	24,2	23,8	23,1	22,6	22	21,7	20,9	20,7	20,2	19,6	48
52	21,1	20,5	20	19,4	18,8	18,3	18	17,1	17	16,4	15,9	52
56	18	17,3	16,9	16,2	15,7	15,1	14,8	14	13,8	13,3	12,7	56
60	15,4	14,6	14,2	13,5	13	12,4	12,1	11,2	11,1	10,6	10	60
64		12,4	11,9	11,2	10,7	10,1	9,8	9,1	9	8,5	8	64
68			10	9,3	8,8	8,1	7,8	7	7	6,5	5,9	68
72					7	6,4	6	5,2	5,2	4,6	4,1	72
76						4,8	4,4	3,6	3,6	3		76

Lifting heights

SL9

