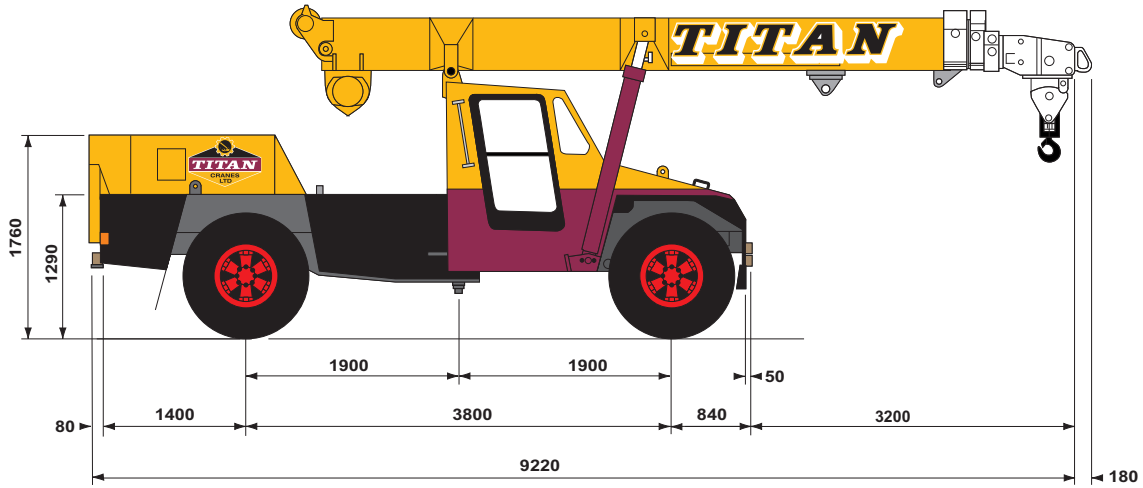
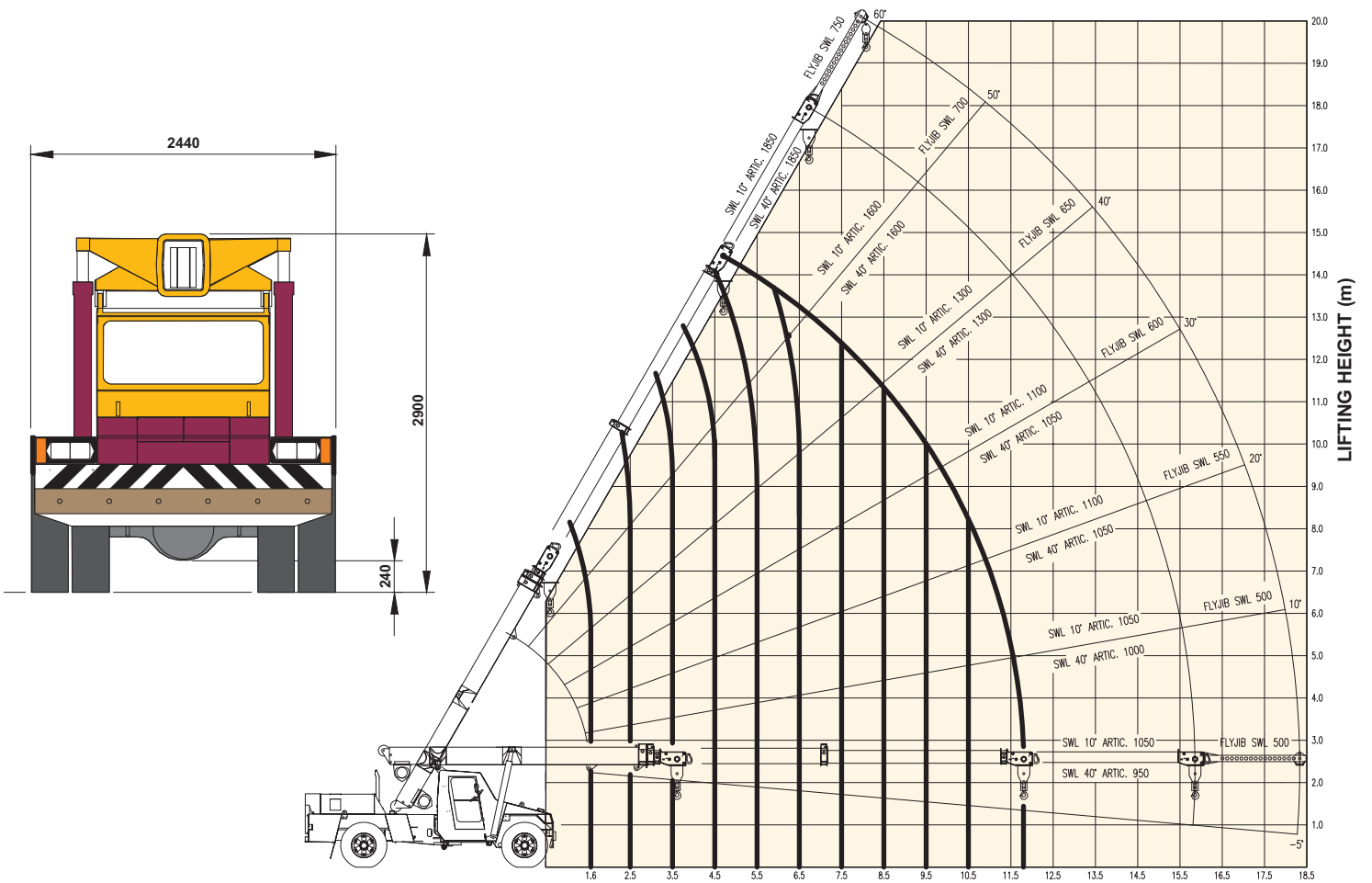


14 TONNE ALL TERRAIN CRANE



GENERAL DIMENSIONS

WORKING RANGE

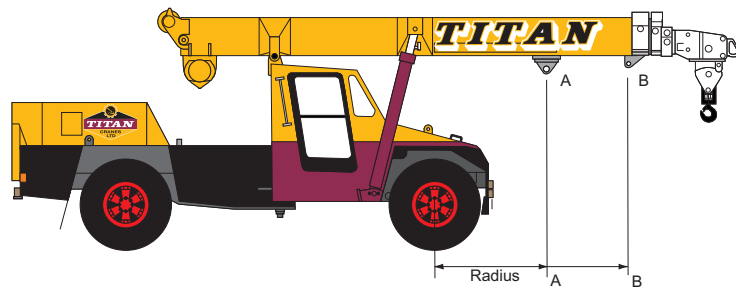
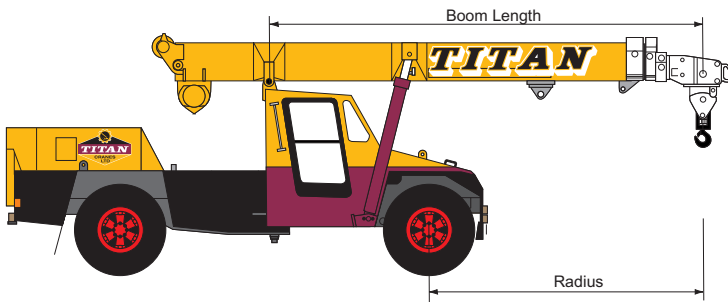


14 TONNE ALL TERRAIN CRANE

S.W.L IN KILOGRAMS FOR ALL SLEW ANGLES

RADIUS IN METRES

Boom Angle	BOOM PIVOT TO HEAD SHEAVES - MANUAL EXTENSION RETRACTED																		MAN EXT	FLY JIB		
	5.65	6.00	6.50	7.00	7.50	8.00	8.50	9.00	9.50	10.00	10.50	11.00	11.50	12.00	12.50	13.00	13.50	13.85			17.90	20.50
60			10200	10200	10200	10200	10200	10200	9150	8250	7500	6400	5850	5350	4950	4600	4300	4100	1850	750		
			1.02	1.27	1.52	1.77	2.02	2.27	2.52	2.77	3.02	3.27	3.52	3.77	4.02	4.27	4.52	4.69	6.72	8.03		
50	10200	10200	10200	10200	8850	7800	6950	6250	5650	5150	4750	4400	4050	3800	3500	3300	3100	2950	1600	700		
	1.42	1.64	1.97	2.29	2.61	2.93	3.25	3.57	3.89	4.22	4.54	4.86	5.18	5.50	5.82	6.14	6.47	6.69	9.29	10.97		
40	10200	9650	8250	7150	6300	5600	5050	4550	4150	3800	3500	3250	3000	2800	2600	2450	2300	2200	1300	650		
	2.14	2.41	2.79	3.18	3.56	3.94	4.33	4.71	5.09	5.47	5.86	6.24	6.62	7.01	7.39	7.77	8.16	8.42	11.53	13.53		
30	8450	7500	6500	5650	5050	4500	4050	3700	3350	3100	2850	2650	2450	2250	2100	2000	1850	1800	1150	600		
	2.74	3.04	3.47	3.91	4.34	4.77	5.21	5.64	6.07	6.51	6.94	7.37	7.80	8.24	8.67	9.10	9.54	9.84	13.35	15.60		
20	7150	6400	5550	4900	4350	3900	3500	3200	2900	2700	2450	2300	2100	2000	1850	1700	1600	1550	1050	550		
	3.19	3.52	3.99	4.46	4.93	5.40	5.87	6.34	6.81	7.28	7.75	8.22	8.69	9.16	9.63	10.10	10.56	10.89	14.70	17.15		
10	6450	5800	5050	4450	4000	3550	3250	2950	2700	2450	2250	2100	1950	1800	1700	1550	1450	1400	1000	500		
	3.48	3.82	4.32	4.81	5.30	5.79	6.29	6.78	7.27	7.76	8.26	8.75	9.24	9.73	10.23	10.72	11.21	11.56	15.54	18.11		
0	6200	5600	4900	4300	3850	3450	3100	2850	2600	2400	2200	2050	1900	1750	1650	1500	1400	1350	950	500		
	3.60	3.95	4.45	4.95	5.45	5.95	6.45	6.95	7.45	7.95	8.45	8.95	9.45	9.95	10.45	10.95	11.45	11.80	15.85	18.45		



Warnings-

S.W.L. are based on 66.7% stability & strength.

S.W.L. above red line are structural.

S.W.L. are based on firm level ground (1% slope (0.6 deg) as per AS1418.5)

with tyres inflated as per chart.

Weight of hooks, blocks, slings & other load handling devices shall be added to the weight of the load.

Lift & Carry - The S.W.L. shall be carried with the minimum boom length & as close to the ground as possible at speeds not in excess of 0.4m/sec (1.44Km/Hr).

Boom Head Mounted Rhino Hook-

When using the Rhino Hook, ensure the winch rope is fully tensioned.

Maximum S.W.L. above bold black line is 8000 kg which is structural

S.W.L. below bold black line as per chart with length as read on boom length indicator + 0.5 metre.

Boom Angle	BOOM PIVOT TO INNER LUG, 1ST EXTENSION - MANUAL EXTENSION RETRACTED									
	3.65	4.00	4.50	5.00	5.50	6.00	6.50	7.00	7.75	
60								12200	11150	9800
								1.20	1.45	1.83
50				14000	14000	11950	9900	8400	6800	
				1.17	1.49	1.81	2.13	2.45	2.93	
40		14000	14000	12300	9850	8100	6850	5900	4800	
		1.02	1.40	1.78	2.17	2.55	2.93	3.32	3.89	
30	14000	14000	11850	9300	7600	6350	5400	4650	3750	
	1.11	1.42	1.85	2.28	2.72	3.15	3.58	4.02	4.66	
20	14000	13000	9850	7850	6450	5400	4600	3950	3200	
	1.38	1.71	2.18	2.65	3.12	3.59	4.06	4.53	5.24	
10	14000	11650	8900	7100	5850	4900	4200	3600	2900	
	1.55	1.89	2.38	2.88	3.37	3.86	4.35	4.85	5.59	
0	14000	11200	8600	6900	5650	4750	4050	3500	2800	
	1.60	1.95	2.45	2.95	3.45	3.95	4.45	4.95	5.70	

Boom Angle	BOOM PIVOT TO OUTER LUG, 1ST EXTENSION - MANUAL EXTENSION RETRACTED												
	4.70	5.00	5.50	6.00	6.50	7.00	7.50	8.00	8.50	8.80			
60								12700	11600	10650	9800	9050	8650
								1.20	1.45	1.70	1.95	2.20	2.35
50				14000	14000	12600	10450	8900	7700	6700	5950	5550	
				1.17	1.49	1.81	2.13	2.45	2.77	3.10	3.42	3.61	
40	14000	13050	10450	9650	7300	6300	5500	4800	4250	4000			
	1.55	1.78	2.17	2.55	2.93	3.32	3.70	4.08	4.46	4.69			
30	11450	9950	8150	6800	5800	5000	4350	3850	3400	3150			
	2.02	2.28	2.72	3.15	3.58	4.06	4.53	5.00	5.47	5.94	6.22		
20	9650	8450	6950	5850	4950	4300	3750	3300	2900	2700			
	2.37	2.65	3.12	3.59	4.06	4.53	5.00	5.47	5.94	6.22			
10	8750	7700	6350	5350	4550	3950	3400	3000	2650	2450			
	2.58	2.88	3.37	3.86	4.35	4.85	5.34	5.83	6.32	6.62			
0	8450	7450	6150	5150	4400	3800	3300	2900	2550	2400			
	2.65	2.95	3.45	3.95	4.45	4.95	5.45	5.95	6.45	6.75			